



Husqvarna®

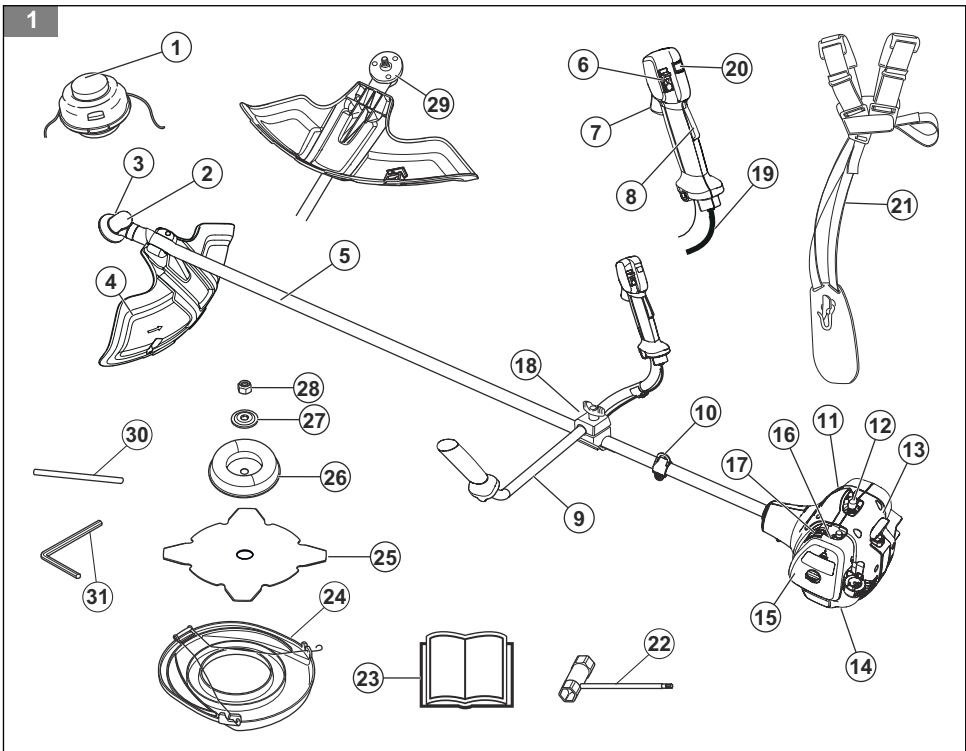


325R

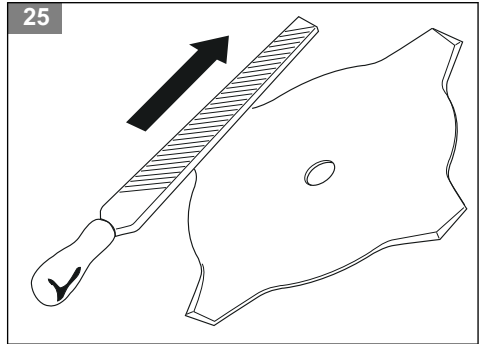
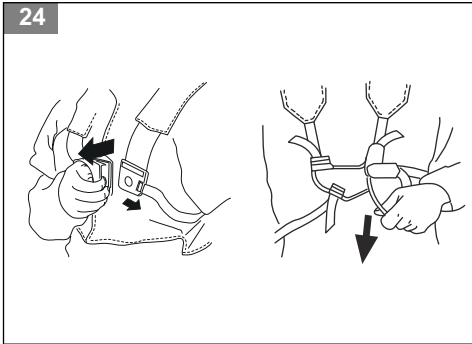
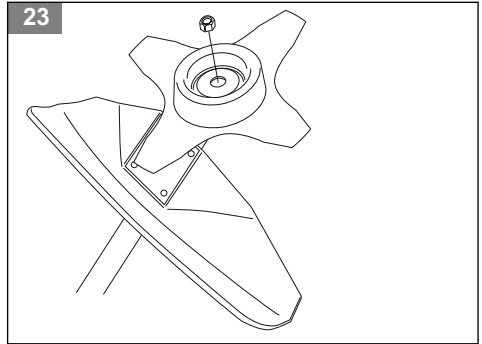
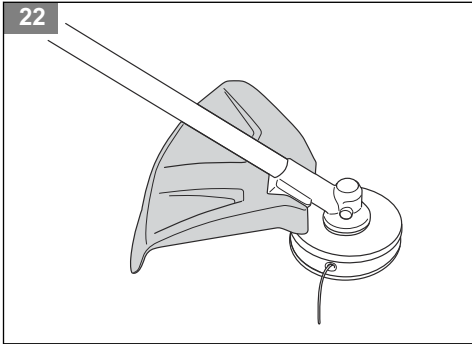
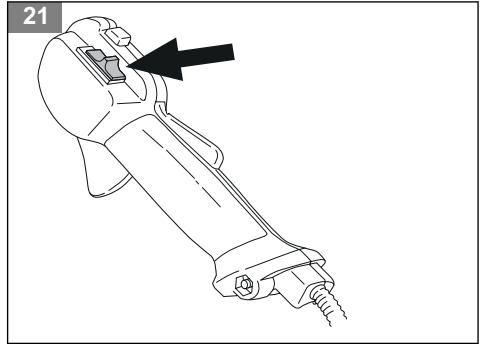
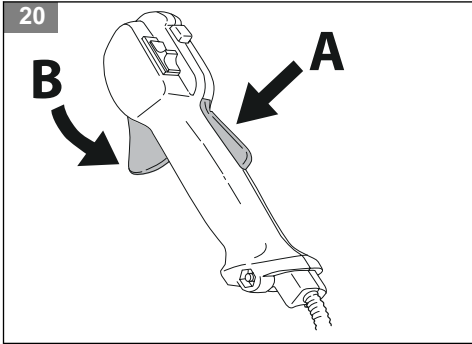


EN	Operator's manual	9-22
ES-MX	Manual del usuario	23-38
PT-BR	Manual do operador	39-53
RU	Руководство по эксплуатации	54-70
UK	Посібник користувача	71-86

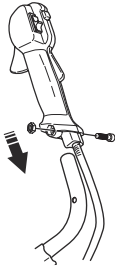
A05328CBHV



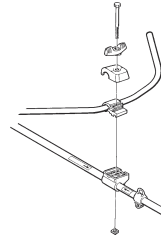
<p>2</p>	<p>3</p>	<p>4</p>	<p>5</p>	<p>6</p>	<p>7</p>
<p>8</p>	<p>9</p>	<p>10</p>	<p>11</p>	<p>12</p>	<p>13</p>
<p>14</p>	<p>15</p>	<p>16</p>	<p>17</p>		



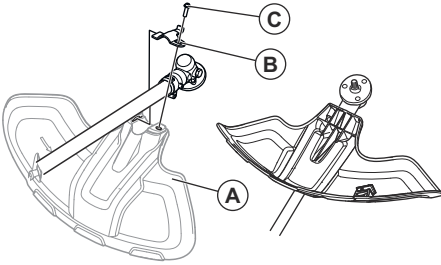
26



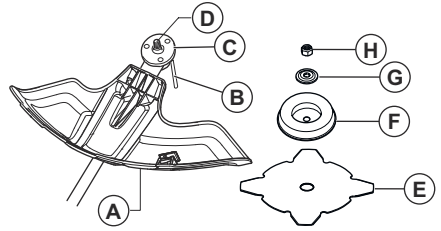
27



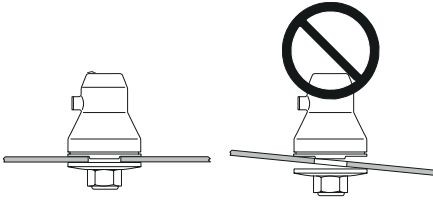
28



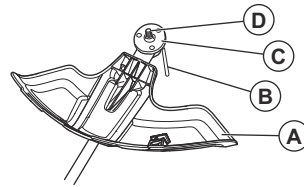
29



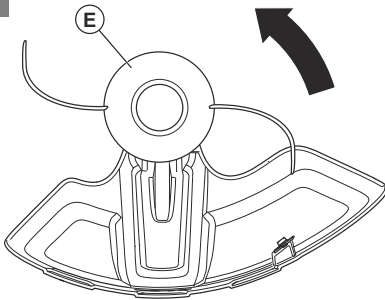
30



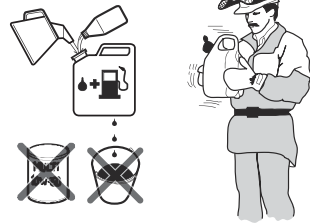
31



32



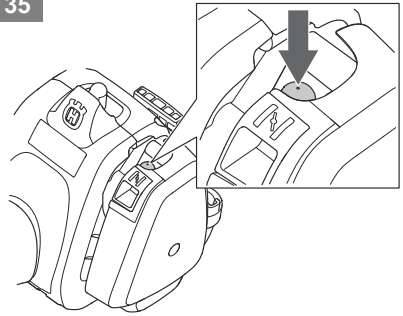
33



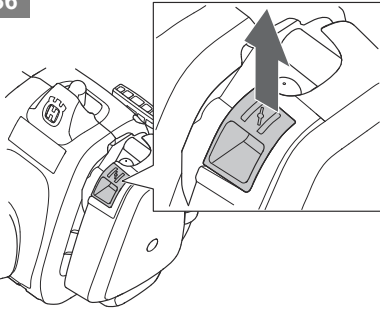
34



35



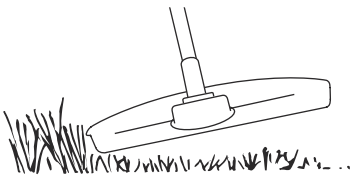
36



37



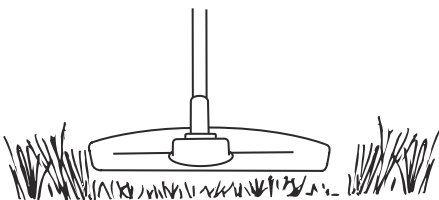
38



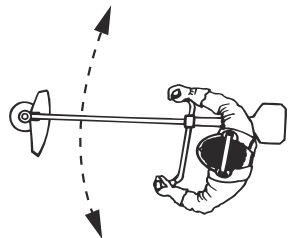
39

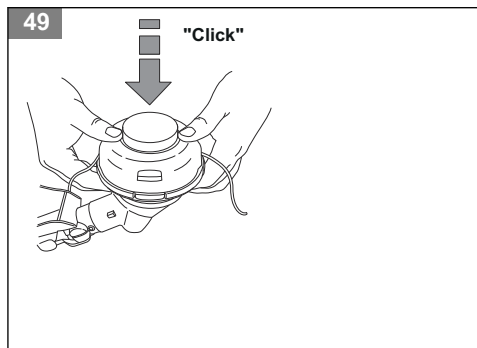
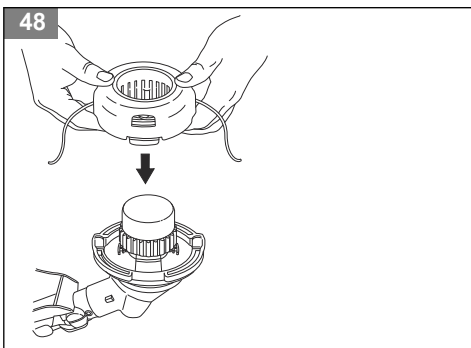
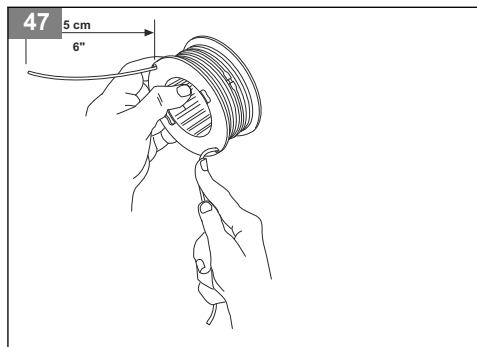
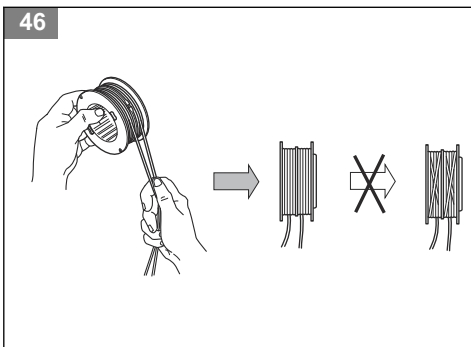
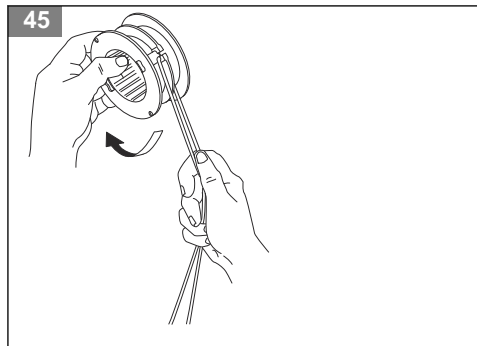
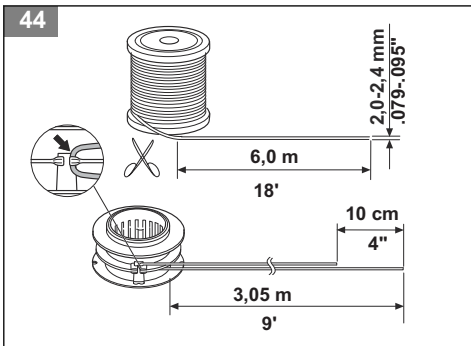
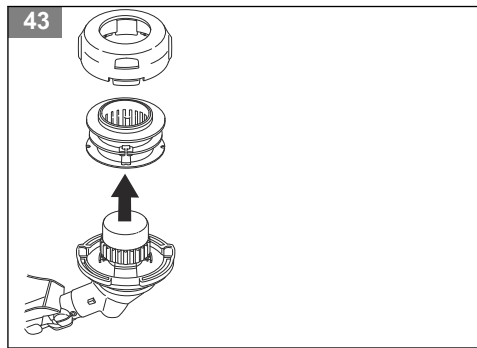
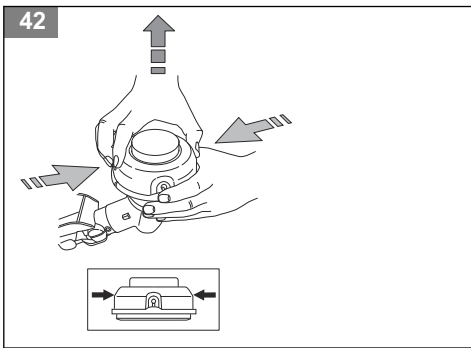


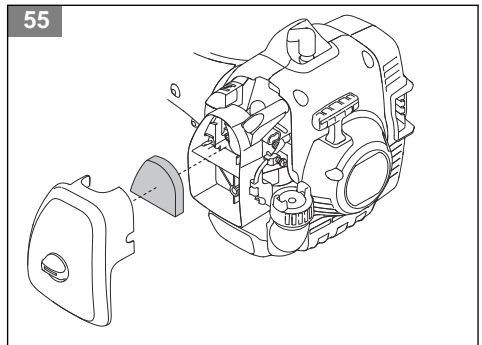
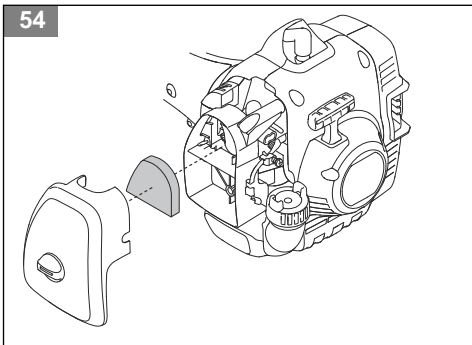
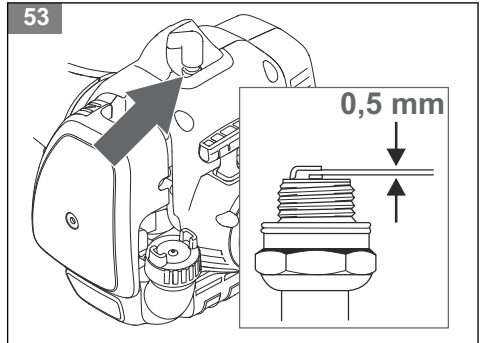
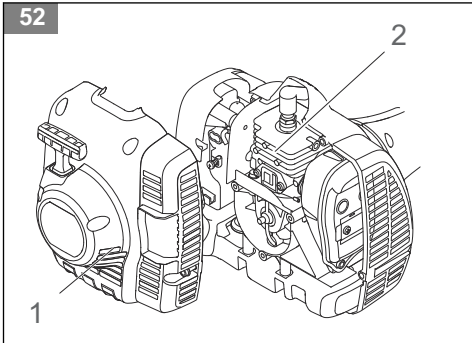
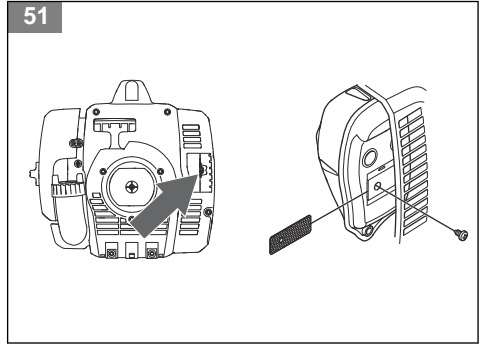
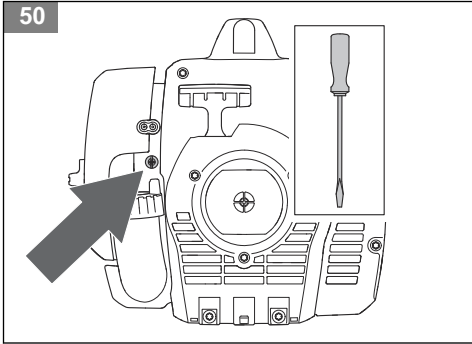
40



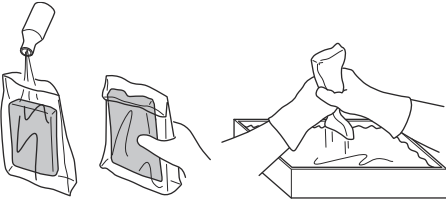
41



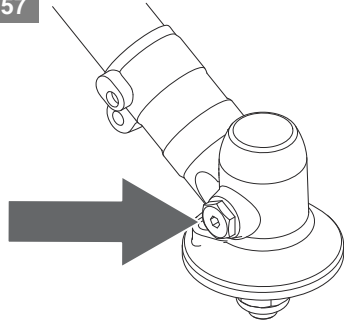




56



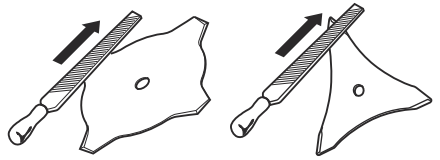
57



58



59



Contents

Introduction.....	9	Troubleshooting.....	19
Safety.....	10	Transportation, storage and disposal.....	19
Assembly.....	14	Technical data.....	20
Operation.....	15	Accessories.....	21
Maintenance.....	17	EC Declaration of Conformity.....	22

Introduction

Operator's manual

The initial language of this operator's manual is English. Operator's manuals in other languages are translations from English.

Intended use

Use the product with a grass blade or a trimmer head to cut different types of vegetation.

Product overview

(Fig. 1)

1. Trimmer head
2. Grease filler cap
3. Bevel gear
4. Cutting attachment guard
5. Shaft
6. Stop switch
7. Throttle trigger
8. Throttle trigger lockout
9. Handlebar
10. Harness clamp
11. Starter housing
12. Spark plug cap, spark plug
13. Starter rope handle
14. Fuel tank
15. Air filter cover
16. Air purge bulb
17. Choke control
18. Handle adjustment
19. Throttle wire
20. Fast idle button
21. Harness
22. Combination wrench
23. Operator's manual
24. Transport guard
25. Blade
26. Support cup
27. Support flange
28. Locknut

Note: National regulations can set limit to the operation of the product.

29. Drive disc
30. Locking pin
31. Hex key

Symbols on the product

- (Fig. 2) **WARNING!** This product is dangerous. Injury or death can occur to the operator or bystanders if the product is not used carefully and correctly. To prevent injury to the operator or bystanders, read and obey all safety instructions in the operator's manual.
- (Fig. 3) Please read the operator's manual carefully and make sure that you understand the instructions before use.
- (Fig. 4) Use a protective helmet in locations where objects can fall on you. Use approved hearing protection. Use approved eye protection.
- (Fig. 5) Use approved protective gloves.
- (Fig. 6) Use heavy-duty slip-resistant boots.
- (Fig. 7) The arrows show the limits for the position of the handle.
- (Fig. 8) The product can cause objects to eject, which can cause injury.
- (Fig. 9) Maximum speed of the output shaft.

- (Fig. 10) Keep a minimum of 15 m / 50 ft distance to persons and animals during operation of the product.
- (Fig. 11) Risk of blade thrust if the cutting equipment touches an object that it does not immediately cut. The product can cut off body parts. Keep a minimum of 15 m / 50 ft distance to persons and animals during operation of the product.
- (Fig. 12) Air purge bulb.
- (Fig. 13) Choke.
- (Fig. 14) Keep all parts of your body away from the hot surfaces.
- (Fig. 15) Noise emission to the environment refer to the European Community's Directive. The emission of the product is specified in the Technical data chapter and on the label.
- (Fig. 16) The product agrees with the applicable EC directives.
- (Fig. 17) The product agrees with the applicable EAC directives.

The rating plate shows the serial number. **yyyy** is the production year, **ww** is the production week and **xxxxx** is the serial number.

yyyywwxxxxx

Note: Other symbols/decals on the product refer to certification requirements for other commercial areas.

Product liability

As referred to in the product liability laws, we are not liable for damages that our product causes if:

- the product is incorrectly repaired.
- the product is repaired with parts that are not from the manufacturer or not approved by the manufacturer.
- the product has an accessory that is not from the manufacturer or not approved by the manufacturer.
- the product is not repaired at an approved service center or by an approved authority.

EU V



WARNING: Tampering with the engine voids the EU type-approval of this product.

Safety

Safety definitions

Warnings, cautions and notes are used to point out specially important parts of the manual.



WARNING: Used if there is a risk of injury or death for the operator or bystanders if the instructions in the manual are not obeyed.



CAUTION: Used if there is a risk of damage to the product, other materials or the adjacent area if the instructions in the manual are not obeyed.

Note: Used to give more information that is necessary in a given situation.

Vibration safety

This product is for occasional operation only. Continuous or regular operation of the product can cause "white finger" or equivalent medical problems from vibrations. Examine the condition of your hands and fingers if you operate the product continuously or regularly. If your hands or fingers have discoloration, have pain, tingle, or are numb, stop work and speak to a physician immediately.

General safety instructions



WARNING: Read the warning instructions that follow before you use the product.

- Use the product correctly. Injury or death is a possible result of incorrect use. Only use the product

for the tasks found in this manual. Do not use the product for other tasks.

- Obey the instructions in this manual. Obey the safety symbols and the safety instructions. If the operator does not obey the instructions and the symbols, injury, damage or death is a possible result.
- Do not discard this manual. Use the instructions to assemble, to operate and to keep your product in good condition. Use the instructions for correct installation of attachments and accessories. Only use approved attachments and accessories.
- Do not use a damaged product. Obey the maintenance schedule. Only do the maintenance work that you find an instruction about in this manual. An approved service center must do all other maintenance work.
- This manual cannot include all situations that can occur when you use the product. Be careful and use your common sense. Do not operate the product or do maintenance on the product if you are not sure about of the situation. Speak to a product expert, your dealer, service agent or approved service center for information.
- Disconnect the spark plug cable before you assemble the product, put the product into storage or do maintenance.
- Do not use the product if it is changed from its initial specification. Do not change a part of the product without approval from the manufacturer. Only use parts approved by the manufacturer. Injury or death is a possible result of incorrect maintenance.
- Do not breathe in the fumes from the engine. Long-term inhalation of the engine's exhaust fumes is a health risk.
- Do not start the product indoors or near flammable material. The exhaust fumes are hot and can contain a spark which can start a fire. Not sufficient airflow can cause injury or death because of asphyxiation or carbon monoxide.
- When you use this product the engine makes an electromagnetic field. The electromagnetic field can cause damage to medical implants. Speak to your physician and medical implant manufacturer before you operate the product.
- Do not let a child operate the product. Do not let a person without knowledge of the instructions operate the product.
- Make sure that you always monitor a person, with decreased physical capacity or mental capacity, that uses the product. A responsible adult must be there at all times.
- Lock the product in an area that children and unapproved persons cannot access.
- The product can eject objects and cause injuries. Obey the safety instructions to decrease the risk of injury or death.
- Do not go away from the product when the engine is on.

- The operator of the product is responsible if an accident occurs.
- Make sure that parts are not damaged before you use the product.
- Make sure that you are at minimum 15 m (50 ft) away from other persons or animals before you use the product. Make sure that persons in the adjacent area know that you will use the product.
- Refer to national or local laws. They can prevent or decrease the operation of the product in some conditions.
- Do not use the product if you are fatigued or influenced by alcohol, drugs or medicine. They can have effects on your vision, alertness, coordination or judgment.

Safety instructions for assembly



WARNING: Read the warning instructions that follow before you use the product.

- Remove the spark plug cap from the spark plug before you assemble the product.
- Use approved protective gloves.
- Make sure that you assemble the cover and shaft correctly before you start the engine.
- The drive disc and support flange must engage correctly in the center hole of the cutting attachment. A cutting attachment that is attached incorrectly can cause serious injury or death of the operator or others.
- To operate the product safely and prevent injury to the operator or other persons, the product must always be attached correctly to the harness.

Safety instructions for operation



WARNING: Read the warning instructions that follow before you use the product.

- Make sure the product is fully assembled before you use it.
- Before a start, move the product 3 m / 10 ft away from the position where you filled the fuel tank. Put the product on a flat surface. Make sure that the cutting attachment does not touch the ground or other objects.
- The product can cause objects to eject, which can cause damage to the eyes. Always use an approved eye protection when you operate the product.
- Be careful, a child can come near the product without your knowledge during operation.
- Do not operate the product if there are persons in the work area. Stop the product if a person goes into the work area.
- Make sure that you are always in control of the product.

- Do not use the product if you cannot receive aid if an accident occurs. Always make sure others know you will operate the product before you start to operate the product.
- Do not turn with the product before you make sure that no persons or animals are in the safety area.
- Remove all unwanted materials from the work area before you start. If the cutting attachment hits an object, the object can eject and cause injury or damage. Unwanted material can wind around the cutting attachment and cause damage.
- Do not use the product in bad weather (fog, rain, strong winds, risk of lightning or other weather conditions.). Dangerous conditions (such as slippery surfaces) can occur because of bad weather.
- Make sure that you can move freely and work in a stable position.

(Fig. 18)

- Make sure that you cannot fall when you use the product. Do not tilt when you operate the product.
- Always hold the product with your two hands. Hold the product on the right side of your body.

(Fig. 19)

- Operate the product with the cutting attachment below your waist.
- If the choke control is in the choke position when the engine starts, the cutting attachment starts to turn.
- Do not touch the bevel gear after the engine stops. The bevel gear is hot after the engine stops. Hot areas can cause injury.
- Stop the engine before you move the product.
- Do not put down the product with the engine on.
- Before you remove the unwanted materials from the product, stop the engine and wait until the cutting attachment stops. Let the cutting attachment stop before you or an aid remove the cut material.

Personal protective equipment



WARNING: Read the warning instructions that follow before you use the product.

- Always use correct personal protective equipment when you operate the product. The personal protective equipment does not erase the risk of injury. The personal protective equipment decreases the grade of injury if an accident occurs.
- Always use an approved eye protection while you operate the product.
- Do not operate the product with bare feet or with open shoes. Always use heavy-duty slip-resistant boots.
- Use heavy, long pants.
- If it is necessary, use approved protective gloves.
- Use a helmet if it is possible that objects fall on your head.

- Always use approved ear protection while you operate the product. Noise for a long period can cause noise-induced hearing loss.
- Make sure that you have a first aid kit near.

Safety devices on the product



WARNING: Read the warning instructions that follow before you use the product.

- Do not use a product with defective safety devices.
- Do a check of the safety devices regularly. Refer to *Product overview on page 9*.
- If the safety devices are defective, speak to your Husqvarna servicing dealer.

Throttle trigger lockout

The throttle trigger lockout locks the throttle trigger. (Fig. 20)

Push the throttle trigger lockout (A) to release the throttle trigger (B). When you release the handle, the throttle trigger lockout and the throttle trigger go back to their initial positions.

1. Make sure that the throttle trigger (B) is locked at idle when you release the throttle trigger lockout (A).
2. Push the throttle trigger lockout (A) and make sure that it goes back to its initial position when you release it.
3. Push the throttle trigger (B) and make sure that it goes back to its initial position when you release it.

Start the engine, and then apply full throttle. Release the throttle trigger and examine if the cutting attachment stops. If the cutting attachment turns with the throttle in the idle position, examine the idle adjustment screw of the carburetor.

Stop switch

Start the engine. Make sure that the engine stops when you move the stop switch to the stop position.

(Fig. 21)

Cutting attachment guard

The cutting attachment guard prevents a loose object to eject in the direction of the operator.

(Fig. 22)

Examine the cutting attachment guard for damage and replace if it is damaged. Only use the approved guard for the cutting attachment.

Muffler

- Do not use an engine with a damaged muffler. A damaged muffler increases the noise level and the risk of fire. Keep a fire extinguisher near.
- Examine regularly that the muffler is attached to the product.

- Do not touch the engine or the muffler when the engine is on. Do not touch the engine or the muffler for a while after the engine stops. Hot surfaces can cause injuries.
- A hot muffler can cause a fire. Be careful, if you use the product near flammable liquids or fumes.
- Do not touch the parts in the muffler, if the muffler is damaged. The parts can contain some carcinogenic chemicals.

Locknut

The locknut is used to lock some types of cutting attachment.

(Fig. 23)

When you install the locknut, tighten it in the opposite direction to operation direction of the cutting attachment.

Harness release function



WARNING: Do not use the harness if the release function is defective. Make sure that the harness release function operates correctly when you adjust the product.

The harness release function is at the front of the product. The harness straps must always stay at the correct position.

(Fig. 24)

In an emergency, the harness release function helps you to safely release from the product.

Cutting attachment



WARNING: Read the warning instructions that follow before you use the product.

- Do the regular maintenance. Let an approved service center regularly examine the cutting attachment to do adjustments or repairs.
 - The performance of the cutting attachment increases.
 - The life of the cutting attachment increases.
 - The risk of accidents decreases.
- Only use an approved cutting attachment guard. For more information, see *Accessories on page 21*.
- Do not use a damaged cutting attachment.

Grass blades and grass cutters

- Use the product with an approved grass blade. Do not use a grass blade without proper installation of all required parts. Make sure that the installation is done correctly and that the proper parts are used. Improper installation may cause the blade to fly off and seriously injure the operator or the bystanders.
- Wear protective gloves when you handle or do maintenance on the blade.

- Use head protection when you operate a product with a grass blade.
- Grass blades and grass cutters are used to cut rough grass.
- A grass blade can cause injury while it continues to spin after the engine is stopped or the throttle trigger is released. Make sure that the grass blade has completely stopped rotating before any maintenance.
- Stop the engine before you do work on the cutting attachment. Make sure the cutting attachment fully stops. Disconnect the lead from the spark plug.
- Only use an approved cutting attachment or a correctly sharpened blade.
- Keep the teeth of the blade correctly sharpened. (Fig. 25)
- Do not use a damaged cutting attachment.
- Attach the transport guard to the grass blade when you transport or store the product.

Blade thrust

- A blade thrust is a sudden movement of the product to the side, forward or rearward. A blade thrust occurs when the grass blade or saw blade hits an object that cannot be cut. In areas where it is not easy to see the material being cut the risk of blade thrust increases.
- When a blade thrust occurs, there is a risk that the product or the operator moves out of position. A blade that moves can hit bystanders and there is a risk of injuries.
- If a blade is bent, has cracks, is broken or damaged, discard the blade.
- Use a sharp blade. The risk of blade thrust increases when a blade is not sharp.

Fuel safety



WARNING: Read the warning instructions that follow before you use the product.

- Do not mix the fuel indoor or near a heat source.
- Do not start the product if there is fuel or engine oil on the product. Remove the unwanted fuel/oil and let the product dry. Remove unwanted fuel from the product.
- If you spill fuel on your clothing, change clothing immediately.
- Do not get fuel on your body, it can cause injury. If you get fuel on your body, use a soap and water to remove the fuel.
- Do not start the engine if you spill oil or fuel on the product or on your body.
- Do not start the product if the engine has a leak. Examine the engine for leaks regularly.
- Be careful with fuel. Fuel is flammable and the fumes are explosive and can cause injuries or death.

- Do not breathe in the fuel fumes, it can cause injury. Make sure that there is a sufficient airflow.
- Do not smoke near the fuel or the engine.
- Do not put warm objects near the fuel or the engine.
- Do not add the fuel when the engine is on.
- Make sure that the engine is cool before you refuel.
- Before you refuel, open the fuel tank cap slowly and release the pressure carefully.
- Do not add fuel to the engine in an indoor area. Not sufficient airflow can cause injury or death because of asphyxiation or carbon monoxide.
- Tighten the fuel tank cap carefully or a fire can occur.
- Move the product at a minimum of 3 m (10 ft) from the position where you filled the tank before a start.
- Do not put too much fuel in the fuel tank.
- Make sure that a leak cannot occur when you move the product or fuel container.
- Do not put the product or a fuel container where there is an open flame, spark or pilot light. Make sure that the storage area does not contain an open flame.
- Only use approved containers when you move the fuel or put the fuel into storage.
- Empty the fuel tank before long-term storage. Obey the local law on where to dispose fuel.

- Clean the product before long-term storage.
- Remove the spark plug cable before you put the product into storage to make sure that the engine does not start accidentally.

Safety instructions for maintenance



WARNING: Read the warning instructions that follow before you do maintenance on the product.

- Do only the maintenance and servicing given in this operator's manual. Let professional servicing personnel do all other servicing and repairs.
- Regularly do the safety checks, maintenance and service instructions given in this manual. Regular maintenance increases the life of the product and decreases the risk of accidents. Refer to *Maintenance schedule on page 17* for instructions.
- If the safety checks in this operator's manual is not approved after you do maintenance, speak to your servicing dealer. We guarantee that there are professional repairs and servicing available for your product.

Assembly

Introduction



WARNING: Before you assemble the product, you must read and understand the safety chapter.



WARNING: Remove the spark plug cable from the spark plug before you assemble the product.

To assemble the handlebar

1. Remove the screw behind the throttle handle. (Fig. 26)
2. Move the throttle handle to the right side of the handlebar.
3. Align the hole behind the throttle handle with the hole in the handlebar.
4. Put the screw go through the holes. Tighten the screw.
5. Attach the handlebar between the arrows on the shaft. Tighten the screw. (Fig. 27)

To attach the harness clamp

1. Put the harness clamp on the shaft with the loop of the harness clamp up. Put the harness clamp above the arrows on the shaft.

2. Put the throttle wire in the groove of the harness clamp at bottom.
3. Align the harness clamp screw holes.
4. Attach 2 screws into the screw holes.
5. Tighten the screws.

To assemble the cutting attachment

To assemble the cutting attachment guard

1. Put the cutting attachment guard (A) onto the shaft. (Fig. 28)
2. Put the bracket (B) in the slot on the cutting attachment guard.
3. Attach the bolt (C) through the hole on the bracket to the cutting attachment guard.

To assemble the grass blade

1. Make sure that the cutting attachment guard (A) is attached to the product. Refer to *To assemble the cutting attachment guard on page 14*. (Fig. 29)
2. Put the locking pin (B) in the hole to lock the shaft.
3. Put the blade (E), support cup (F) and support flange (G) on the output shaft (D).
4. Make sure that the drive disc (C) engages correctly in the center hole of the blade. (Fig. 30)

- Put the locknut (H) on the output shaft. Hold the shaft of the combination wrench near the cutting attachment guard. Turn the combination wrench counterclockwise to tighten the locknut. Torque the locknut to 35-50 Nm / 26-36 ft/lb.
- Remove the locking pin.

To attach the trimmer head

- Make sure that the cutting attachment guard (A) is attached to the product. Refer to *To assemble the cutting attachment guard on page 14*. (Fig. 31)

- Make sure that the drive disc (C) is attached to the output shaft (D).
- Put the locking pin (B) in the hole to lock the shaft.
- Put the trimmer head (E) on the output shaft.
- Turn the trimmer head counterclockwise to tighten it to the output shaft. (Fig. 32)
- Remove the locking pin.

Operation

Introduction



WARNING: Before you operate the product, you must read and understand the safety chapter.

Fuel

This product has a two-stroke engine.



CAUTION: Incorrect type of fuel can result in engine damage. Use a mixture of gasoline and two-stroke oil.

Premixed fuel

- Use Husqvarna premixed alkylate fuel of a good quality, for best performance and extension of the engine life. This fuel contains less harmful chemicals compared to regular fuel, which decreases harmful exhaust fumes. The quantity of remains after combustion is lower with this fuel, which keeps the components of the engine more clean.

To mix fuel

Gasoline



CAUTION: Do not use gasoline with an octane number less than 90 RON (87 AKI). This can cause damage to the product.



CAUTION: Do not use gasoline with more than 10% ethanol concentration (E10). This can cause damage to the product.

- Always use new unleaded gasoline with a minimum octane number of 90 RON (87 AKI) and with less than 10% ethanol concentration (E10).
- Use gasoline with a higher octane number if you frequently use the product at continuously high engine speed.

Two-stroke oil

- For best results and performance use Husqvarna two-stroke oil.
- If Husqvarna two-stroke oil is not available, use a two-stroke oil of good quality for air-cooled engines. Speak to your servicing dealer to select the correct oil.



CAUTION: Do not use two-stroke oil for water-cooled outboard engines, also referred to as outboard oil. Do not use oil for four-stroke engines.

To mix gasoline and two-stroke oil

Gasoline, liter	Two-stroke oil, liter
	2% (50:1)
5	0.10
10	0.20
15	0.30
20	0.40



CAUTION: Small errors can influence the ratio of the mixture drastically when you mix small quantities of fuel. Measure the quantity of oil carefully and make sure that you get the correct mixture.

(Fig. 33)

- Fill half the quantity of gasoline in a clean container for fuel.
- Add the full quantity of oil.
- Shake the fuel mixture.
- Add the remaining quantity of gasoline to the container.
- Carefully shake the fuel mixture.



CAUTION: Do not mix fuel for more than 1 month at a time.

To add fuel

- Always use a fuel container with an antispill valve.
- If there is some fuel on the container, remove the unwanted fuel and let the container dry.
- Make sure that the area near the fuel tank cap is clean.
- Shake the fuel container before you add the fuel mixture to the fuel tank.

To do a run-in

- During the first 10 hours of operation, do not apply full throttle without load for extended periods.

To start and stop

To examine before start

1. Make sure that the product has no missing, damaged, loose or worn parts.
2. Make sure that nuts, screws and bolts are tightened.
3. Make sure that the blades or trimmer head is not damaged.
4. Make sure that the locknut is tightened. Refer to *To examine the locknut on page 18*.
5. Make sure that the air filter is not clogged.
6. Make sure that the safety devices on the product is not defective.
7. Make sure that the product has no fuel leaks.

To adjust the harness



WARNING: The product must always be correctly attached to the harness. Do not use a defective harness.

1. Put on the harness.
2. Connect the product to the harness.
3. Adjust the harness for the best work position.
4. Adjust the side straps to make the product weigh equally on your shoulders. (Fig. 34)
5. Adjust the harness until the cutting attachment is parallel to the ground.
6. Let the cutting attachment lightly touch the ground. Adjust the harness clamp to balance the product correctly.

Note: If you use a grass blade, it must balance approximately 10 cm / 4 in above the ground.

To start a cold engine

1. Push the air purge bulb 10 times. (Fig. 35)

2. Pull the choke control up. (Fig. 36)
3. Hold the body of the product on the ground with your left hand. (Fig. 37) Do not step on the product. Pull the starter rope handle slowly until you feel some resistance. Then pull the starter rope handle with force.

Note: Do not pull the throttle trigger while you start the engine.

4. Continue to pull the starter rope handle until the engine starts or tries to start (max. 3 pulls). If the engine starts or tries to start, push the choke control down. Continue to pull until the engine starts. Wait 60 seconds after a start before you pull the throttle trigger.



CAUTION: Do not pull the starter rope until it stops. Do not let go of the starter rope when it is fully extended. Release the starter rope slowly. Failure to obey these instructions can cause damage to the engine.

To start a warm engine

1. Push the air purge bulb 10 times.
2. Pull the starter rope until the engine starts.

To start the engine when the fuel is too hot

If the product does not start, the fuel can be too hot.

Note: Always use new fuel and decrease the operation time during warm weather.

1. Put the product in a cool area away from open sunlight.
2. Let the product cool down for 20 minutes at minimum.
3. Press the air purge bulb again and again for 10-15 seconds.
4. Obey the procedure to start a cold engine. Refer to *To start a cold engine on page 16*.

To stop

- Push the stop switch to stop the engine. (Fig. 21)

Note: The stop switch automatically goes back to its initial position.

To operate the grass trimmer



CAUTION: Make sure that you slow the engine to idle speed after each operation. A long period at full throttle without a load on the engine can cause damage to the engine.

Note: Clean the cover of the trimmer head when you attach a new trimmer line to prevent vibrations. Examine

other parts of the trimmer head and clean if it is necessary.

To trim the grass

1. Hold the trimmer head immediately above the ground at an angle. Do not push the trimmer line into the grass. (Fig. 38)
2. Decrease the length of the trimmer line by 10-12 cm / 4-4.75 in.
3. Decrease the engine speed to decrease the risk of damage to plants.
4. Use 80 % throttle when you cut grass near objects. (Fig. 39)

To cut the grass

1. Make sure that the grass trimmer line is parallel to the ground when you cut the grass. (Fig. 40)
2. Do not push the trimmer head to the ground. This can cause damage to the product
3. Move the product from side to side when you cut grass. Use full throttle. (Fig. 41)

To clear grass with a grass blade

1. Grass blades and grass cutters must not be used on woody stems.
2. A grass blade is used for all types of tall or coarse grass.
3. The grass is cut down with a sideways, swinging movement, where the movement from right-to-left is the clearing stroke and the movement from left-to-right is the return stroke. Let the left-hand side of the blade (between 8 and 12 o'clock) do the cutting.
4. If the blade is angled to the left when clearing grass, the grass will collect in a line, which makes it easier to collect, e.g. by raking.

5. Try to work rhythmically. Stand firmly with your feet apart. Move forward after the return stroke and stand firmly again.
6. Let the support cup rest lightly against the ground. It is used to protect the blade from hitting the ground.
7. Reduce the risk of material wrapping around the blade by always work at full throttle and avoid the previously cut material during the return stroke.
8. Stop the engine, unclip the harness and place the machine on the ground before you start to collect the cut material.

Grass trimmer head

- Make sure that you wind the grass trimmer line tightly and equally around the drum to decrease the vibration.
- Use only the approved grass trimmer heads and grass trimmer lines. See *Accessories on page 21*.
- Use a correct length of the grass trimmer line. A long grass trimmer line uses more engine power than a short grass trimmer line.
- Make sure that the cutter on the cutting attachment guard is not damaged.
- Soak the grass trimmer line in water for 2 days before you attach the grass trimmer line to the product. This increases the life of the grass trimmer line.

To replace the trimmer line

(Fig. 42)
(Fig. 43)
(Fig. 44)
(Fig. 45)
(Fig. 46)
(Fig. 47)
(Fig. 48)
(Fig. 49)

Maintenance

Introduction



WARNING: Before you do maintenance, you must read and understand the safety chapter.

For all servicing and repair work on the product, special training is necessary. We guarantee the availability of professional repairs and servicing. If your dealer is not a service agent, speak to them for information about the nearest service agent.

Maintenance schedule

Weekly maintenance

- Clean the external surfaces.

- Make sure that the cutting attachment does not move when on idle speed. Refer to *To adjust the idle speed on page 18*.
- Examine the level of grease in the bevel gear. Refer to *To add grease to the bevel gear on page 18*.
- Examine the locknut. Refer to *To examine the locknut on page 18*.

Monthly maintenance

- Make sure that the starter rope handle and the starter rope is not damaged.

Yearly maintenance

- Examine the spark plug. Refer to *To examine the spark plug on page 18*.
- Clean the external surfaces of the carburetor and its adjacent areas.
- Clean the cooling system.

- Examine the spark arrester screen. Refer to *To do maintenance on the spark arrester screen on page 18*.
- Examine the fuel filter.
- Make sure that the fuel hose is not damaged.
- Make sure that cables and connections on the product is not damaged.

To adjust the idle speed

- Make sure that the air filter is clean and the air filter cover is attached before you adjust the idle speed.
- Adjust the idle speed with the idle adjustment screw T which is identified with "T" mark.
- The idle speed is correct when the engine operates smoothly in all positions. The idle speed must be below the speed when the cutting attachment starts to turn.

1. Turn the idle adjustment screw clockwise until the cutting attachment starts to turn. (Fig. 50)
2. Turn the idle adjustment screw counterclockwise until the cutting attachment stops.

To do maintenance on the spark arrester screen

Use a wire brush to clean the spark arrester screen. (Fig. 51)

To clean the cooling system

Clean the parts of the cooling system with a brush. (Fig. 52)

To examine the spark plug



CAUTION: Use the recommended spark plug. Make sure that the replacement is the same as the manufacturer supplied part. An incorrect spark plug can cause damage to the product.

1. Examine the spark plug when:
 - a) the engine is low on power.
 - b) the engine is not easy to start.
 - c) the engine does not operate correctly at idle speed.
2. If, the engine is not easy to start or operate, examine the spark plug for unwanted materials. To decrease the risk of unwanted material on the spark plug electrodes:
 - a) make sure that the idle speed is correctly adjusted.
 - b) make sure that the fuel mixture is correct.
 - c) make sure that the air filter is clean.
3. Clean the spark plug if it is dirty. Examine that the electrode gap is correct. (Fig. 53)
4. Replace the spark plug when it is necessary.

To do the maintenance to the air filter

To clean the air filter

1. Remove the air filter cover and remove the air filter. (Fig. 54)
2. Clean the air filter with warm soap water. Make sure that the air filter is dry before you install it.
3. Replace the air filter if it is too dirty to fully clean it. Always replace a damaged air filter.
4. If your product has a foam air filter, apply air filter oil. Only apply air filter oil to a foam filter. Do not apply oil to a felt filter.

To apply air filter oil to the air filter



CAUTION: Always use special air filter oil on foam air filters. Do not use other types of oil.



WARNING: Do not get oil on your body.

1. Remove the air filter cover and remove the air filter. (Fig. 55)
2. Put the air filter in a plastic bag.
3. Put the air filter oil in the plastic bag. (Fig. 56)
4. Push the plastic bag to make sure the oil supplies equally across the air filter.
5. Push on the air filter, while in the bag, to remove the air filter oil that is not necessary. Remove the air filter from the bag.
6. Install the air filter.

To add grease to the bevel gear

Make sure that the bevel gear is filled 3/4 full with bevel gear grease.

(Fig. 57)

To examine the locknut



CAUTION: Replace the locknut after each 10th use.

1. Turn the locknut counterclockwise to tighten the locknut. Turn the locknut clockwise to remove the locknut. (Fig. 58)
2. Make sure that you can not turn the nylon lining of the locknut with your hands. The nylon lining must supply a minimum resistance of 1.5 Nm / 1,1 ft/lb.
3. Torque the locknut to 35-50 Nm / 26-36 ft/lb, if the resistance is below minimum.



CAUTION: If you tighten the locknut too much, it can cause damage to the threads.

To sharpen the grass knife and grass blade



WARNING: Stop the engine. Use protective gloves.



WARNING: Always discard a blade that is damaged. Do not try to make a bent or twisted blade straight and use it again.

- To sharpen the grass knife or grass blade correctly, refer to the instructions that come with the cutting attachment.
- Sharpen all edges equally to keep the balance.
- Use a single-cut flat file. (Fig. 59)

Troubleshooting

The engine does not start

Check	Possible cause	Procedure
Stop switch.	The stop switch is in the stop position.	Set the stop switch to the start position.
Starter pawls.	The starter pawls cannot move freely.	Remove the starter cover and clean around the starter pawls.
		Let an approved service agent help you.
Fuel tank.	Incorrect fuel type.	Drain the fuel tank and fill with correct fuel.
Spark plug.	The spark plug is dirty or wet.	Make sure that the spark plug is dry and clean.
	The spark plug electrode gap is incorrect.	Clean the spark plug. Make sure that the electrode gap is correct. Make sure that the spark plug has a suppressor.
		Refer to technical data for correct electrode gap.
	The spark plug is loose.	Tighten the spark plug.

The engine starts but stops again

Check	Possible cause	Procedure
Fuel tank	Incorrect fuel type.	Empty the fuel tank and fill it with correct fuel.
Air filter	The air filter is clogged.	Clean the air filter.

Transportation, storage and disposal

Transportation and storage

- Let the product cool before transportation or storage.
- Remove the spark plug cap before long-term storage.
- Attach the product during transportation. Make sure that it cannot move.

- Make sure that there is no risk of fuel leaks, fuel fumes, sparks or flames during transportation and storage.
- Attach the transport guard during transportation and storage.
- Clean and do servicing on the product before long-term storage.

Technical data

Technical data

	325R
	A05328CBHV
Engine	
Cylinder displacement, cm ³	27.6
Idle speed, rpm	2800 - 3200
Recommended max. speed, rpm	8000
Power / Max. engine output, acc. to ISO 8893, kW/hp @ rpm	0.9/1.2 @ 8000
Catalytic converter muffler	No
Speed of output shaft, rpm	7200
Ignition system	
Spark plug	Husqvarna HQT-4
Electrode gap, mm	0.5
Fuel system	
Fuel tank capacity, l/cm ³	0.343/343
Product dimensions	
Weight, kg	5.5
Noise emissions¹	
Sound power level, measured, equipped with grass blade, dB(A)	108
Sound power level, measured, equipped with trimmer head, dB(A)	110
Sound power level, guaranteed (L _{WA}), equipped with grass blade, dB(A)	112
Sound power level, guaranteed (L _{WA}), equipped with trimmer head, dB(A)	114
Sound levels²	
Sound pressure level at operator's ear, equipped with grass blade, dB(A)	96

¹ Noise emissions in the environment measured as sound power (L_{WA}) in conformity with EC directive 2000/14/EC. Reported sound power level for the product has been measured with the original cutting attachment that gives the highest level. The difference between guaranteed and measured sound power is that the guaranteed sound power also includes dispersion in the measurement result and the variations between different products of the same model according to Directive 2000/14/EC.

² Reported data for equivalent sound pressure level for the product has a typical statistical dispersion (standard deviation) of 1 dB (A).

	325R A05328CBHV
Sound pressure level at operator's ear, equipped with trimmer head, dB(A)	95
Vibration levels³	
Equivalent vibration level (ahv, eq), equipped with grass blade, left handle, m/s ²	5.1
Equivalent vibration level (ahv, eq), equipped with grass blade, right handle, m/s ²	5.7
Equivalent vibration level (ahv, eq) equipped with trimmer head, left handle, m/s ²	4.1
Equivalent vibration level (ahv, eq) equipped with trimmer head, right handle, m/s ²	4.9

Accessories

Accessories

Approved accessories	Type	Cutting attachment guard
Threaded shaft	M10L	
Trimmer head	T35, 2.4 mm	588 11 79-01
Grass blade	Grass 255-4, Ø 250	588 11 79-01

³ Reported data for equivalent vibration level has a typical statistical dispersion (standard deviation) of 1 m/s².

EC Declaration of Conformity

Contents of the EC declaration of conformity

We, Husqvarna AB, SE 561 82 Huskvarna, SWEDEN, declare under our sole responsibility that the represented product:

Description	Gasoline Grass Trimmer / Brushcutter
Brand	Husqvarna
Platform / Type / Model	Platform A05328CBHV, representing model 325R.
Batch	Serial number dating 2018 and onwards.

complies fully with the following EU directives and regulations:

Directive/Regulation	Description
2006/42/EC	"relating to machinery"
2014/30/EU	"relating to electromagnetic compatibility"
2000/14/EC	"relating to outdoor noise"
2011/65/EU	"restriction of use of certain hazardous substances"

Harmonized standards and/or technical specifications applied are as follows: EN ISO 12100, EN ISO 11806-1, CISPR 12, ISO 14982, EN 50581:2012 .

In accordance with directive 2000/14/EC, Annex V, the declared sound values are stated in the technical data section of this manual and in the signed EC Declaration of Conformity.

TÜV Rheinland N.A. has carried out a voluntary examination on behalf of Husqvarna AB, providing a Certificate of conformity to EC Council directive 2006/42/EC for machinery.

The certificate, as provided on the signed EC Declaration of Conformity, is applicable to all manufacturing locations and Countries of Origin, as stated on the product.

The supplied gasoline grass trimmer / brushcutter conforms to the example that underwent examination.

Contenido

Introducción.....	23	Solución de problemas.....	34
Seguridad.....	24	Transporte, almacenamiento y eliminación de residuos.....	35
Montaje.....	29	Datos técnicos.....	35
Funcionamiento.....	30	Accesorios.....	37
Mantenimiento.....	32	Declaración de conformidad CE.....	38

Introducción

Manual del usuario

El idioma original de este manual de usuario es el inglés. Los manuales de usuario en otros idiomas son traducciones del inglés.

Uso específico

Utilice el producto con una hoja para hierba o un cabezal de corte para cortar distintos tipos de vegetación.

Descripción general de la máquina

(Fig. 1)

1. Cabezal de corte
2. Tapón de llenado de grasa
3. Engranaje angulado
4. Protección del equipo de corte
5. Eje
6. Interruptor de detención
7. Gatillo del acelerador
8. Bloqueo del acelerador
9. Manillar
10. Abrazadera de arnés
11. Cuerpo del mecanismo de arranque
12. Sombrero de bujía y bujía
13. Empuñadura de la cuerda de arranque
14. Depósito de combustible
15. Cubierta del filtro de aire
16. Bulbo de la purga de aire
17. Estrangulador
18. Ajuste del mango
19. Cable del acelerador
20. Botón de ralentí rápido
21. Arnés
22. Llave combinada
23. Manual del usuario
24. Protección para transporte
25. Hoja
26. Cazoleta de apoyo

Tenga en cuenta: Las normativas nacionales pueden establecer un límite para el funcionamiento del producto.

27. Brida de apoyo
28. Contratuerca
29. Disco de arrastre
30. Pasador de bloqueo
31. Llave hexagonal

Símbolos en la máquina

(Fig. 2) **ADVERTENCIA:** Este producto es peligroso. El operador o las personas que se encuentran cerca pueden sufrir lesiones o la muerte si el producto no se utiliza con cuidado y correctamente. Para evitar daños graves al operador o a las personas que se encuentran cerca, lea y obedezca todas las instrucciones de seguridad en el manual de usuario.

(Fig. 3) Lea atentamente el manual del usuario y asegúrese de que entiende las instrucciones antes de usar el producto.

(Fig. 4) Utilice un casco protector en lugares donde puedan caer objetos sobre usted. Use protección auricular aprobada. Use protección ocular aprobada.

(Fig. 5) Use guantes protectores homologados.

(Fig. 6) Use botas antideslizantes de servicio pesado.

- (Fig. 7) Las flechas muestran los límites de la posición de la palanca.
- (Fig. 8) El producto puede provocar que los objetos salgan expulsados, lo que puede causar lesiones.
- (Fig. 9) Régimen máximo del eje de salida.
- (Fig. 10) Manténgase a un mínimo de 15 m/50 pies de distancia de las personas y los animales mientras el producto esté funcionando.
- (Fig. 11) Existe riesgo de lanzada de la hoja si el equipo de corte entra en contacto con un objeto que no se corta inmediatamente. El producto puede cortar partes del cuerpo. Manténgase a un mínimo de 15 m/50 pies de distancia de las personas y los animales mientras el producto esté funcionando.
- (Fig. 12) Bulbo de la purga de aire.
- (Fig. 13) Estrangulador.
- (Fig. 14) Mantenga todas las partes del cuerpo lejos de las superficies calientes.
- (Fig. 15) Emisiones de ruido en el medioambiente según la Directiva de la Comunidad Europea. Las emisiones que genera el producto se especifican en el capítulo Datos técnicos y en la etiqueta.
- (Fig. 16) Este producto cumple con las directivas CE pertinentes.
- (Fig. 17) El producto cumple con las directivas EAC pertinentes.

La placa de características muestra el número de serie. **yyyy** es el año de fabricación, **ww** es la semana de producción y **xxxxx** es el número de serie.

yyyywwxxxxx

Tenga en cuenta: Otros símbolos o etiquetas del producto hacen referencia a requisitos de certificación para otras zonas comerciales.

Responsabilidad del fabricante

Como se menciona en las leyes de responsabilidad del fabricante, no nos hacemos responsables de los daños que cause nuestro producto si:

- el producto se repara incorrectamente
- el producto se repara con piezas que no son del fabricante o que este no autoriza
- el producto tiene un accesorio que no es del fabricante o que este no autoriza
- el producto no se repara en un centro de servicio autorizado o por una autoridad aprobada.

EU V



ADVERTENCIA: La manipulación del motor anula la homologación de este producto en la UE.

Seguridad

Definiciones de seguridad

Las advertencias, precauciones y notas se utilizan para señalar las piezas particularmente importantes del manual.



ADVERTENCIA: Se utilizan para señalar el riesgo de lesiones graves o mortales para el operador o para aquellos que se encuentren cerca si no se siguen las instrucciones del manual.



AVISO: Se utilizan para señalar el riesgo de dañar la máquina, otros materiales o el área adyacente si no se siguen las instrucciones del manual.

Tenga en cuenta: Se utilizan para entregar más información necesaria en situaciones particulares.

Seguridad de vibración

Este producto solo sirve para su uso ocasional. El funcionamiento continuo o regular del producto puede provocar la enfermedad de Dupuytren o problemas médicos equivalentes producto de las vibraciones. Examine la condición de sus manos y dedos si opera el producto regular o continuamente. Si sus manos o dedos tienen una decoloración, dolor, cosquilleo o se sienten entumecidos, detenga el trabajo y póngase en contacto con un médico de inmediato.

Instrucciones generales de seguridad



ADVERTENCIA: Lea atentamente las instrucciones de advertencia siguientes antes de usar el producto.

- Utilice el producto correctamente. Las lesiones graves o fatales son un posible resultado de un uso incorrecto. Solo utilice el producto para las tareas que aparecen en este manual. No utilice el producto para otras tareas.
- Obedezca las instrucciones contenidas en este manual. Obedezca los símbolos y las instrucciones de seguridad. Si el usuario no obedece las instrucciones y los símbolos, es posible que se produzcan daños y lesiones tanto graves como fatales.
- No deseche este manual. Utilice las instrucciones para montar, operar y mantener el producto en buen estado. Utilice las instrucciones para la correcta instalación de piezas y accesorios. Utilice solamente piezas y accesorios homologados.
- No use un producto dañado. Cumpla con el programa de mantenimiento. Realice solamente las tareas de mantenimiento en las que se detallan instrucciones en este manual. Un centro de servicio autorizado debe realizar todos los demás trabajos de mantenimiento.
- En este manual no se pueden abarcar todas las situaciones que pueden ocurrir cuando se utiliza el producto. Tenga cuidado y use el sentido común. No haga funcionar el producto ni le realice mantenimiento si no está seguro de la situación. Hable con un experto en el producto, su distribuidor, el agente de servicio o un centro de servicio autorizado para obtener más información.
- Desconecte el cable de la bujía antes de montar o almacenar el producto, o realizar tareas de mantenimiento.
- No utilice el producto si cambia su especificación inicial. No cambie una parte del producto sin la aprobación del fabricante. Utilice solo piezas aprobadas por el fabricante. Las lesiones graves o fatales son un posible resultado de un mantenimiento incorrecto.
- No respire los humos del motor. La inhalación prolongada de los gases de escape es un riesgo para la salud.
- No encienda el producto en interiores o cerca de materiales inflamables. Los gases de escape están muy calientes y pueden crear incendios debido a la creación de chispas. Un flujo de aire insuficiente puede causar lesiones graves o fatales por asfixia o debido al monóxido de carbono.
- Cuando utilice este producto, el motor crea un campo electromagnético. El campo electromagnético puede causar daños a implantes médicos. Hable con su médico y fabricante del implante antes de utilizar el producto.
- No deje que un niño utilice el producto. No permita que una persona que no conozca las instrucciones utilice el producto.
- Asegúrese de supervisar siempre a una persona con capacidades físicas o mentales limitadas que utilice el producto. Debe haber un adulto responsable en todo momento.
- Mantenga el producto en un área a la cual los niños y las personas no autorizadas no puedan acceder.
- El producto puede expulsar objetos y causar lesiones. Siga las instrucciones de seguridad para reducir el riesgo de lesiones graves o fatales.
- No se aleje del producto cuando el motor esté en marcha.
- El operador del producto es responsable en caso de un accidente.
- Asegúrese de que las piezas no estén dañadas antes de utilizar el producto.
- Asegúrese de estar al menos a 15 m (50 pies) de distancia de otras personas o animales antes de utilizar el producto. Asegúrese de que las personas en el área adyacente sepan que utilizará el producto.
- Consulte las leyes locales o nacionales. Estas pueden evitar o disminuir el funcionamiento del producto en algunas condiciones.
- No utilice el producto si está cansado o bajo la influencia de alcohol, drogas o medicamentos. Pueden tener efectos sobre su visión, estado de alerta, coordinación o criterio.

Instrucciones de seguridad para el montaje



ADVERTENCIA: Lea atentamente las instrucciones de advertencia siguientes antes de usar el producto.

- Retire el sombrerete de bujía de la bujía antes de montar el producto.
- Use guantes protectores homologados.
- Antes de arrancar el motor, asegúrese de montar la cubierta y el eje de forma adecuada.
- El disco de arrastre y la brida de apoyo se deben acoplar correctamente en el orificio central del equipo de corte. Un equipo de corte que se fija de forma incorrecta puede causar daños graves o incluso la muerte del operador u otras personas.
- Para utilizar el producto de forma segura y evitar daños al operador u otras personas, el producto siempre debe estar correctamente fijado al arnés.

Instrucciones de seguridad para el funcionamiento



ADVERTENCIA: Lea atentamente las instrucciones de advertencia siguientes antes de usar el producto.

- Asegúrese de que el producto esté completamente montado antes de usarlo.
- Antes de comenzar, mueva el producto 3 m/10 pies de distancia desde la posición donde llenó el depósito de combustible. Coloque el producto sobre una superficie plana. Asegúrese de que el equipo de corte no toque el suelo u otros objetos.
- El producto puede provocar que los objetos salgan expulsados, lo que puede causar daños a los ojos. Use siempre protección ocular autorizada cuando utilice el producto.
- Tenga cuidado, un niño puede acercarse al producto sin que lo note mientras se encuentra en funcionamiento.
- No utilice el producto si hay personas en el área de trabajo. Detenga el producto si una persona entra al área de trabajo.
- Asegúrese de estar siempre en control del producto.
- No utilice el producto si no puede recibir ayuda en caso de un accidente. Asegúrese siempre de que los demás sepan que va a utilizar el producto antes de comenzar a utilizarlo.
- No gire con el producto sin asegurarse de que no haya personas ni animales en la zona de seguridad.
- Retire todos los materiales no deseados del área de trabajo antes de empezar. Si el equipo de corte choca contra un objeto, el objeto se puede expulsar y causar lesiones o daños. El material no deseado puede enredarse en el equipo de corte y causar daños.

- No utilice el producto en malas condiciones climáticas (niebla, lluvia, vientos fuertes, riesgo de rayos u otros tipos de condiciones climáticas). Las condiciones peligrosas (como superficies resbaladizas) se pueden producir debido al mal clima.
- Asegúrese de poder moverse libremente y trabajar en una posición estable.
(Fig. 18)
- Asegúrese de no correr riesgos de caídas cuando utilice el producto. No se incline cuando utilice el producto.
- Siempre sostenga el producto con las dos manos. Mantenga el producto al lado derecho de su cuerpo.
(Fig. 19)
- Utilice el producto con el equipo de corte por debajo de la cintura.
- Si el estrangulador está en la posición de estrangulamiento cuando el motor arranca, el equipo de corte comienza a girar.
- No toque el engranaje angulado después de que se detenga el motor. El engranaje angulado está caliente después de que el motor se detiene. Las áreas calientes pueden causar lesiones.
- Detenga el motor antes de mover el producto.
- No deje el producto en el suelo con el motor encendido.
- Antes de eliminar el material no deseado del producto, detenga el motor y espere hasta que el equipo de corte se detenga. Deje que el equipo de corte se detenga antes de que usted o un ayudante quiten el material de corte.

Equipo de protección personal



ADVERTENCIA: Lea atentamente las instrucciones de advertencia siguientes antes de usar el producto.

- Utilice siempre el equipo de protección personal adecuado cuando utilice el producto. El equipo de protección personal no elimina el riesgo de lesiones. El equipo de protección personal disminuye el grado de la lesión en caso de un accidente.
- Use siempre protección ocular autorizada cuando utilice el producto.
- No utilice el producto con los pies descalzos o con zapatos abiertos. Use siempre botas antideslizantes de servicio pesado.
- Utilice pantalones largos y gruesos.
- Si es necesario, utilice guantes de protección aprobados.
- Use un casco si existe la posibilidad de que caigan objetos sobre su cabeza.
- Use siempre protectores auriculares autorizados cuando utilice el producto. Escuchar ruidos durante un largo período puede provocar pérdida de audición inducida por el ruido.
- Asegúrese de tener un botiquín de primeros auxilios.

Dispositivos de seguridad en el producto



ADVERTENCIA: Lea atentamente las instrucciones de advertencia siguientes antes de usar el producto.

- No utilice un producto con dispositivos de seguridad defectuosos.
- Revise los dispositivos de seguridad de forma regular. Consulte *Descripción general de la máquina en la página 23*.
- Si los dispositivos de seguridad están defectuosos, comuníquese con su concesionario de servicio Husqvarna.

Bloqueo del acelerador

El bloqueo del acelerador bloquea el acelerador. (Fig. 20)

Presione el bloqueo del acelerador (A) para liberar el acelerador (B). Cuando suelta la manija, tanto el bloqueo del acelerador como el acelerador vuelven a sus posiciones iniciales.

1. Asegúrese de que el acelerador (B) se encuentre bloqueado al ralentí cuando suelte el bloqueo del acelerador (A).
2. Presione el bloqueo del acelerador (A) y asegúrese de que vuelva a su posición inicial cuando lo suelte.
3. Presione el acelerador (B) y asegúrese de que vuelva a su posición inicial cuando lo suelte.

Encienda el motor y aplique la aceleración máxima. Suelte el acelerador y examine si el equipo de corte se detiene. Si el equipo de corte gira con el acelerador en la posición de ralentí, examine el tornillo de ajuste de ralentí del carburador.

Interruptor de detención

Arranque el motor. Asegúrese de que el motor se detenga cuando mueva el interruptor de detención a la posición de detención.

(Fig. 21)

Protección del equipo de corte

La protección del equipo de corte evita que un objeto suelto salga expulsado en dirección al usuario. (Fig. 22)

Examine la protección del equipo de corte en busca de daños y reemplácela si está dañada. Utilice solamente la protección aprobada para el equipo de corte.

Silenciador

- No utilice un motor con un silenciador dañado. Un silenciador dañado aumenta el nivel de ruido y el riesgo de incendio. Mantenga un extintor de incendios cerca.
- Examine frecuentemente que el silenciador esté unido al producto.

- No toque el motor o el silenciador cuando el motor esté en marcha. No toque el motor o el silenciador por un tiempo después de que el motor se detenga. Las superficies calientes pueden causar lesiones.
- Un silenciador caliente puede provocar un incendio. Tenga cuidado si utiliza el producto cerca de líquidos inflamables o gases.
- No toque las piezas del silenciador si el silenciador está dañado. Las piezas pueden contener algunos productos químicos cancerígenos.

Contratuercia

La contratuercia se utiliza para bloquear algunos tipos de equipos de corte.

(Fig. 23)

Cuando instale la contratuercia, apriétela en la dirección opuesta a la dirección de funcionamiento del equipo de corte.

Función de liberación del arnés



ADVERTENCIA: No utilice el arnés si la función de liberación no funciona correctamente. Asegúrese de que la función de liberación del arnés funcione correctamente cuando ajuste el producto.

La función de liberación del arnés se encuentra en la parte frontal del producto. Las correas del arnés siempre deben permanecer en la posición correcta. (Fig. 24)

En caso de emergencia, la función de liberación del arnés lo ayuda a liberarse de forma segura del producto.

Equipo de corte



ADVERTENCIA: Lea atentamente las instrucciones de advertencia siguientes antes de usar el producto.

- Realice el mantenimiento periódico. Permita que un centro de servicio autorizado examine frecuentemente el equipo de corte para realizar ajustes o reparaciones.
 - El rendimiento del equipo de corte aumenta.
 - La vida útil del equipo de corte aumenta.
 - Disminuye el riesgo de accidentes.
- Solamente utilice una protección aprobada para el equipo de corte. Para obtener más información, consulte *Accesorios en la página 37*.
- No utilice un equipo de corte dañado.

Hojas para hierba y cortadoras de césped

- Utilice el producto con una hoja para hierba aprobada. No utilice una hoja para hierba sin una instalación adecuada de todas las piezas necesarias. Asegúrese de que la instalación se haya

realizado correctamente y que se utilicen las piezas correctas. Una instalación inadecuada puede provocar que la hoja salga disparada y hiera gravemente al usuario o a los transeúntes.

- Use guantes protectores cuando manipule la hoja o cuando realice el mantenimiento de esta.
- Utilice protección para la cabeza cuando opere un producto con una hoja para hierba.
- Las hojas para hierba y las recortadoras de césped se utilizan para cortar la hierba áspera.
- Una hoja para hierba puede provocar lesiones cuando sigue girando después de que se detiene el motor o de que se libera el acelerador. Asegúrese de que la hoja para hierba haya dejado de girar completamente antes de realizar cualquier operación de mantenimiento.
- Detenga el motor antes de trabajar en el equipo de corte. Asegúrese de que el equipo de corte se detenga completamente. Desconecte el cable de la bujía.
- Utilice solamente un equipo de corte aprobado o una hoja correctamente afilada.
- Mantenga los dientes de la hoja afilados correctamente.

(Fig. 25)

- No utilice un equipo de corte dañado.
- Instale la protección para transportes a la hoja para hierba cuando transporte o almacene el producto.

Lanzada de hoja

- Una lanzada de hoja es un movimiento repentino del producto hacia el lado, hacia delante o hacia atrás. La lanzada de hoja se produce cuando la hoja para hierba o la hoja de sierra golpean un objeto que no se puede cortar. En zonas donde no es fácil ver el material que se está cortando, el riesgo de lanzada de hoja aumenta.
- Cuando se produce una lanzada de hoja, existe el riesgo de que el producto o el usuario se salgan de su posición. Una hoja que se mueve puede golpear a los transeúntes, y existe un riesgo de lesiones.
- Si una hoja está doblada, tiene grietas, está rota o dañada, deséchela.
- Utilice una hoja afilada. El riesgo de lanzada de hoja aumenta cuando una hoja no está afilada.

Seguridad de combustible



ADVERTENCIA: Lea atentamente las instrucciones de advertencia siguientes antes de usar el producto.

- Si derrama combustible en su ropa, cámbiese la ropa inmediatamente.
- No permita que le caiga combustible en el cuerpo, ya que puede causar lesiones. Si le cae combustible en el cuerpo, utilice jabón y agua para quitarlo.
- No arranque el motor si derrama aceite o combustible en el producto o en su cuerpo.
- No arranque el producto si el motor tiene una fuga. Examine frecuentemente el motor en busca de fugas.
- Tenga cuidado con el combustible. El combustible es inflamable y los gases son explosivos y pueden causar lesiones graves o fatales.
- No respire los gases del combustible, ya que pueden causar lesiones. Asegúrese de que haya suficiente flujo de aire.
- No fume cerca del combustible o del motor.
- No coloque objetos calientes cerca del combustible o del motor.
- No agregue combustible cuando el motor esté en marcha.
- Asegúrese de que el motor se enfríe antes de llenar el depósito de combustible.
- Antes de llenar el depósito de combustible, abra lentamente la tapa del depósito de combustible y libere la presión con cuidado.
- No agregue combustible al motor en un área interior. Un flujo de aire insuficiente puede causar lesiones graves o fatales por asfixia o debido al monóxido de carbono.
- Apriete la tapa del depósito de combustible con cuidado para evitar incendios.
- Mueva el producto a un mínimo de 3 m (10 pies) de la posición en la que se llenó el depósito antes de empezar.
- No ponga demasiado combustible en el depósito de combustible.
- Asegúrese de que no se puedan provocar fugas cuando mueva el producto o el recipiente de combustible.
- No coloque el producto ni un recipiente de combustible donde haya una llama expuesta, una chispa o una fuente de calor. Asegúrese de que no haya una llama expuesta en el área de almacenamiento.
- Utilice solamente contenedores aprobados cuando mueva el combustible o coloque el combustible en el almacenamiento.
- Vacíe el depósito de combustible antes de un almacenamiento a largo plazo. Cumpla con las leyes locales en cuanto al lugar en dónde se puede deshacer del combustible.
- Limpie el producto antes de un almacenamiento a largo plazo.
- Retire el cable de la bujía antes de almacenar el producto, para asegurarse de que el motor no arranque accidentalmente.

- No mezcle el combustible en interiores o cerca de una fuente de calor.
- No arranque el producto si hay combustible o aceite de motor en el producto. Quite el combustible o aceite no deseado y deje secar el producto. Quite el combustible no deseado del producto.

Instrucciones de seguridad para el mantenimiento



ADVERTENCIA: Lea atentamente las instrucciones de advertencia antes de realizar mantenimiento al producto.

- Realice solo el mantenimiento y el servicio que se indican en este manual del usuario. Deje que el personal de mantenimiento profesional realice todas las demás tareas de mantenimiento y reparación.

- Realice periódicamente las comprobaciones de seguridad, el mantenimiento y las instrucciones de servicio que se señalan en este manual. El mantenimiento periódico aumenta la vida útil del producto y disminuye el riesgo de accidentes. Consulte *Programa de mantenimiento en la página 32* para obtener instrucciones.
- Si las comprobaciones de seguridad de este manual de instrucciones no se aprueban después de realizar el mantenimiento, consulte con su concesionario de servicio. Garantizamos que existen reparaciones y servicios profesionales disponibles para su producto.

Montaje

Introducción



ADVERTENCIA: Antes de montar el producto, debe leer y entender el contenido del capítulo sobre seguridad.



ADVERTENCIA: Retire el cable de la bujía de la bujía antes de montar el producto.

Montaje del manillar

1. Retire el tornillo situado detrás del acelerador. (Fig. 26)
2. Mueva el acelerador al lado derecho del manillar.
3. Alinee el orificio detrás del acelerador con el del manillar.
4. Pase el tornillo por los orificios. Ajuste el tornillo.
5. Fije el manillar entre las flechas del eje. Ajuste el tornillo. (Fig. 27)

Fijación de la abrazadera del arnés

1. Coloque la abrazadera del arnés en el eje con el lazo de la abrazadera del arnés hacia arriba. Coloque la abrazadera del arnés por encima de las flechas del eje.
2. Coloque el cable del acelerador en la ranura de la parte inferior de la abrazadera del arnés.
3. Alinee los orificios del tornillo de la abrazadera del arnés.
4. Coloque dos tornillos en los orificios.
5. Apriete los tornillos.

Para montar el equipo de corte

Montaje de la protección del equipo de corte

1. Coloque la protección del equipo de corte (A) en equipo de corte en el eje. (Fig. 28)

2. Coloque el soporte (B) en la ranura de la protección del equipo de corte.
3. Fije el perno (C) a través del orificio en el soporte hasta la protección del equipo de corte.

Montaje de la hoja para hierba

1. Asegúrese de que la protección del equipo de corte (A) quede fija en el producto. Consulte *Montaje de la protección del equipo de corte en la página 29*. (Fig. 29)
2. Coloque el pasador de bloqueo (B) en el orificio para bloquear el eje.
3. Coloque la hoja (E), la cazoleta de apoyo (F) y la brida de apoyo (G) en el eje de salida (D).
4. Asegúrese de que el disco de arrastre (C) se acople correctamente en el agujero central de la hoja. (Fig. 30)
5. Coloque la contratuerca (H) en el eje de salida. Sostenga el eje de la llave combinada cerca de la protección del equipo de corte. Gire la llave combinada hacia la izquierda para apretar la contratuerca. Apriete la contratuerca entre 35 y 50 Nm (entre 26 y 36 pies/lb).
6. Retire el pasador de bloqueo.

Fijación del cabezal de corte

1. Asegúrese de que la protección del equipo de corte (A) quede fija en el producto. Consulte *Montaje de la protección del equipo de corte en la página 29*. (Fig. 31)
2. Asegúrese de que el disco de arrastre (C) quede fijo en el eje de salida (D).
3. Coloque el pasador de bloqueo (B) en el orificio para bloquear el eje.
4. Coloque el cabezal de corte (E) en el eje de salida.
5. Gire el cabezal de corte hacia la izquierda para apretarlo al eje de salida. (Fig. 32)
6. Retire el pasador de bloqueo.

Funcionamiento

Introducción



ADVERTENCIA: Antes de utilizar el producto, debe leer y entender el capítulo sobre seguridad.

Combustible

Este producto tiene un motor de dos tiempos.



AVISO: Usar el tipo incorrecto de combustible puede causar daños en el motor. Utilice una mezcla de gasolina y de aceite para motores de dos tiempos.

Combustible premezclado

- Utilice combustible de alquilato premezclado Husqvarna de buena calidad para obtener el mejor rendimiento y prolongar la vida útil del motor. Este combustible contiene menos químicos dañinos en comparación con el combustible normal, lo cual disminuye los gases de escape dañinos. La cantidad de restos después de la combustión es menor con este combustible, que mantiene más limpios los componentes del motor.

Para mezclar combustible

Gasolina



AVISO: No utilice gasolina con un octanaje inferior a 90 RON (87 AKI). Esto puede provocar daños al producto.



AVISO: No utilice gasolina con más de un 10 % de etanol concentrado (E10). Esto puede provocar daños al producto.

- Siempre utilice gasolina sin plomo nueva con un octanaje mínimo de 90 RON (87 AKI) y con menos de un 10 % de etanol concentrado (E10).
- Use gasolina con un octanaje superior si con frecuencia utiliza el producto a velocidades de motor continuamente altas.

Aceite para motores de dos tiempos

- Para obtener los mejores resultados y el mejor rendimiento, utilice aceite para motores de dos tiempos Husqvarna.
- Si el aceite para motores de dos tiempos Husqvarna no está disponible, utilice un aceite para motores de dos tiempos de buena calidad para motores enfriados por aire. Contáctese con su concesionario de servicio para seleccionar el aceite correcto.



AVISO: No utilice aceite para motores de dos tiempos para motores fueraborda refrigerados por agua, también conocido como aceite para fueraborda. No utilice aceite para motores de cuatro tiempos.

Para mezclar gasolina y aceite para motores de dos tiempos

Gasolina, litros	Aceite para motores de dos tiempos, litro
	2 % (50:1)
5	0,10
10	0,20
15	0,30
20	0,40



AVISO: Los errores pequeños pueden influir drásticamente en la proporción de la mezcla cuando se mezclan cantidades pequeñas de combustible. Mida cuidadosamente la cantidad de aceite y asegúrese de obtener la mezcla correcta.

(Fig. 33)

- Llene la mitad de la cantidad de gasolina en un recipiente limpio para combustible.
- Agregue la cantidad total de aceite.
- Agite la mezcla de combustible.
- Agregue la cantidad restante de gasolina al recipiente.
- Agite cuidadosamente la mezcla de combustible.



AVISO: No mezcle el combustible durante más de 1 mes cada vez.

Para agregar combustible

- Utilice siempre un recipiente de combustible con una válvula antiderrames.
- Si hay combustible en el recipiente, retire el combustible no deseado y deje que el contenedor se seque.
- Asegúrese de que el área cerca de la tapa del depósito de combustible está limpia.
- Agite el recipiente de combustible antes de agregar la mezcla de combustible al tanque de combustible.

Para hacer un rodaje

- Durante las primeras 10 horas de funcionamiento, no aplique aceleración máxima sin carga por períodos extensos.

Para arrancar y detener

Qué se debe examinar antes de comenzar

1. Asegúrese de que al producto no le falten piezas ni que tenga piezas dañadas, flojas o desgastadas.
2. Asegúrese de que las tuercas, los pernos y los tornillos estén apretados.
3. Asegúrese de que ni las hojas ni el cabezal de corte presenten daños.
4. Asegúrese de que la contratuerca esté apretada. Consulte *Comprobación de la contratuerca en la página 34*.
5. Asegúrese de que el filtro de aire no esté obstruido.
6. Asegúrese de que los dispositivos de seguridad del producto no estén defectuosos.
7. Asegúrese de que el producto no presente fugas de combustible.

Para ajustar el arnés



ADVERTENCIA: El producto debe estar siempre correctamente fijado al arnés. No utilice un arnés defectuoso.

1. Colóquese el arnés.
2. Conecte el producto al arnés.
3. Ajuste el arnés para alcanzar la mejor posición de trabajo.
4. Ajuste las correas laterales para que el peso del producto sea el mismo sobre sus hombros. (Fig. 34)
5. Ajuste el arnés hasta que el equipo de corte esté paralelo al suelo.
6. Deje que el equipo de corte toque ligeramente el suelo. Ajuste la abrazadera del arnés para equilibrar el producto correctamente.

Tenga en cuenta: Si utiliza una hoja para hierba, debe equilibrarse aproximadamente 10 cm/4" sobre el suelo.

Para arrancar un motor frío

1. Presione el bulbo de la bomba de combustible de aire 10 veces. (Fig. 35)
2. Tire del estrangulador hacia arriba. (Fig. 36)
3. Mantenga el cuerpo del producto en el suelo con la mano izquierda. (Fig. 37) No se pare sobre el producto. Tire de la empuñadura de la cuerda de arranque lentamente hasta que sienta resistencia. A continuación, tire de la empuñadura de la cuerda de arranque con fuerza.

Tenga en cuenta: No tire del acelerador cuando arranque el motor.

4. Siga tirando la empuñadura de la cuerda de arranque hasta que el motor arranque o intente arrancar (máximo de 3 tiros). Si el motor arranca o intenta arrancar, mantenga presionado el estrangulador. Siga tirando hasta que arranque el motor. Espere 60 segundos después del arranque antes de tirar el acelerador.



AVISO: No tire de la cuerda de arranque hasta que se detenga. No suelte la cuerda de arranque cuando esté totalmente extendida. Suelte la cuerda de arranque lentamente. Si no se siguen estas instrucciones, se pueden producir daños en el motor.

Para arrancar un motor caliente

1. Presione el bulbo de la bomba de combustible de aire 10 veces.
2. Tire de la cuerda de arranque hasta que el motor arranque.

Para arrancar el motor cuando el combustible está demasiado caliente

Si el producto no arranca, el combustible puede estar demasiado caliente.

Tenga en cuenta: Siempre utilice combustible nuevo y disminuya el tiempo de funcionamiento durante clima cálido.

1. Coloque el producto en un área fresca lejos de la luz solar directa.
2. Permita que el producto se enfríe durante 20 minutos como mínimo.
3. Presione el bulbo de la bomba de combustible repetidamente entre 10 y 15 segundos.
4. Obedezca el procedimiento para arrancar un motor frío. Consulte *Para arrancar un motor frío en la página 31*.

Para detenerlo

- Presione el interruptor de detención para detener el motor. (Fig. 21)

Tenga en cuenta: El interruptor de detención regresa automáticamente a su posición inicial.

Para utilizar la recortadora de césped



AVISO: Asegúrese de disminuir la velocidad del motor hasta un régimen de ralentí después de cada operación. Un largo período con el acelerador al máximo y sin

carga en el motor puede causar daños a este último.

Tenga en cuenta: Limpie la cubierta del cabezal de corte cuando coloque un nuevo hilo para la recortadora a fin de evitar las vibraciones. Examine otras piezas del cabezal de corte y límpielas si es necesario.

Para recortar el césped

1. Sostenga el cabezal de corte inmediatamente sobre el nivel del suelo en un ángulo. No presione el hilo de la recortadora de césped contra este último. (Fig. 38)
2. Disminuya la longitud del hilo de la recortadora entre 10 y 12 cm/4 y 4,75".
3. Disminuya el régimen del motor para reducir el riesgo de dañar las plantas.
4. Use una aceleración de un 80 % cuando corte el césped cerca de objetos. (Fig. 39)

Para cortar el césped

1. Asegúrese de que el hilo de la recortadora de césped esté paralelo al suelo cuando corte. (Fig. 40)
2. No presione el cabezal de corte contra el suelo. Esto puede dañar el producto
3. Mueva el producto de un lado a otro cuando corte. Utilice la aceleración máxima. (Fig. 41)

Para arrancar el pasto con una hoja para hierba

1. Las hojas para hierba y las cortadoras de césped no se deben utilizar para tallos leñosos.
2. Una hoja para hierba se utiliza para todos los tipos de césped alto o hierba gruesa.
3. La hierba se corta con un movimiento lateral y oscilante, donde el movimiento de derecha a izquierda es de limpieza y el movimiento de izquierda a derecha es de retorno. Deje que el lado izquierdo de la hoja (levemente inclinada hacia la izquierda y hacia el frente) realice el corte.
4. Si la hoja está inclinada a la izquierda cuando corta la hierba, esta se acumulará en una línea, lo que

hace que sea más sencillo juntarla, por ejemplo, con un rastrillo.

5. Intente trabajar a compás. Párese firmemente con los pies separados. Avance después del movimiento de retorno y vuelva a pararse firme.
6. Deje que la cazoleta de apoyo descansa ligeramente sobre el suelo. Se utiliza para evitar que la hoja golpee el suelo.
7. Reduzca el riesgo de que el material envuelva la hoja trabajando siempre a máxima velocidad y evitando el material cortado anteriormente durante el movimiento de retorno.
8. Detenga el motor, desenganche el arnés y coloque la máquina en el suelo antes de comenzar a juntar el material cortado.

Cabezal de corte para hierba

- Asegúrese de enrollar el hilo de la recortadora de césped firme y equitativamente alrededor del tambor para disminuir la vibración.
- Utilice solamente cabezales e hilos de corte para hierba aprobados. Consulte *Accesorios en la página 37*.
- Utilice una longitud correcta de hilo para la recortadora. Un hilo largo para la recortadora utiliza más potencia del motor que un hilo corto.
- Asegúrese de que la cortadora en la protección del equipo de corte no está dañada.
- Empape el hilo de la recortadora de césped en agua durante 2 días antes de conectarlo al producto. Esto aumenta la vida útil del hilo de la recortadora de césped.

Para sustituir el hilo de la recortadora

- (Fig. 42)
- (Fig. 43)
- (Fig. 44)
- (Fig. 45)
- (Fig. 46)
- (Fig. 47)
- (Fig. 48)
- (Fig. 49)

Mantenimiento

Introducción



ADVERTENCIA: Antes de realizar el mantenimiento, debe leer y entender el capítulo sobre seguridad.

Para todos los trabajos de mantenimiento y reparación del producto, se requiere capacitación especial. Garantizamos la disponibilidad de trabajos de mantenimiento y reparación profesionales. Si el

concesionario no cuenta con un taller de servicio, pídale información acerca del taller de servicio más cercano.

Programa de mantenimiento

Mantenimiento semanal

- Limpie las superficies externas.
- Asegúrese de que el equipo de corte no se mueva en régimen de ralentí. Consulte *Para ajustar el régimen de ralentí en la página 33*.

- Examine el nivel de grasa en el engranaje angulado. Consulte *Para agregar grasa al engranaje angulado en la página 34*.
- Examine la contratuerca. Consulte *Comprobación de la contratuerca en la página 34*.

Mantenimiento mensual

- Asegúrese de que la empuñadura de la cuerda de arranque y la cuerda de arranque no presenten daños.

Mantenimiento anual

- Examine la bujía. Consulte *Para examinar la bujía en la página 33*.
- Limpie las superficies externas del carburador y sus zonas adyacentes.
- Limpie el sistema de refrigeración.
- Examine la rejilla apagachispas. Consulte *Para realizar tareas de mantenimiento en la rejilla apagachispas en la página 33*.
- Examine el filtro de combustible.
- Asegúrese de que la manguera de combustible no presente daños.
- Asegúrese de que los cables y las conexiones del producto no presenten daños.

Para ajustar el régimen de ralentí

- Asegúrese de que el filtro de aire esté limpio y que la cubierta del filtro de aire esté instalada antes de ajustar el régimen de ralentí.
 - Ajuste el régimen de ralentí con el tornillo de ajuste de ralentí T, el cual se identifica con la marca "T".
 - El régimen de ralentí es el correcto cuando el motor funciona correctamente en todas las posiciones. El régimen de ralentí debe ser inferior a la velocidad cuando el equipo de corte empieza a girar.
1. Gire el tornillo de ajuste de ralentí hacia la derecha hasta que el equipo de corte comience a girar. (Fig. 50)
 2. Gire el tornillo de ajuste de ralentí hacia la izquierda hasta que el equipo de corte se detenga.

Para realizar tareas de mantenimiento en la rejilla apagachispas

Use un cepillo de alambre para limpiar la rejilla apagachispas.
(Fig. 51)

Para limpiar el sistema de refrigeración

Limpie las piezas del sistema de refrigeración con un cepillo.
(Fig. 52)

Para examinar la bujía



AVISO: Utilice la bujía recomendada. Asegúrese de que la pieza de reemplazo sea la misma que la que proporcione el fabricante. Una bujía incorrecta puede causar daños al producto.

1. Examine la bujía cuando:
 - a) el motor tenga poca potencia.
 - b) el motor no arranque fácilmente.
 - c) el motor no funcione correctamente a régimen de ralentí.
2. Si el motor no arranca o funciona fácilmente, examine la bujía en busca de materiales no deseados. Para disminuir el riesgo de material no deseado en los electrodos de la bujía:
 - a) asegúrese de que el régimen de ralentí esté ajustado correctamente.
 - b) asegúrese de que la mezcla de combustible es la correcta.
 - c) asegúrese de que el filtro de aire esté limpio.
3. Limpie la bujía si está sucia. Revise que la separación entre los electrodos sea la correcta. (Fig. 53)
4. Reemplace la bujía cuando sea necesario.

Para realizar el mantenimiento del filtro de aire

Para limpiar el filtro de aire

1. Quite la cubierta del filtro de aire y retire el filtro de aire. (Fig. 54)
2. Limpie el filtro de aire con agua jabonosa caliente. Asegúrese de que el filtro de aire esté seco antes de instalarlo.
3. Reemplace el filtro de aire si está demasiado sucio para limpiarlo completamente. Siempre reemplace un filtro de aire dañado.
4. Si su producto tiene un filtro de aire de espuma, aplique aceite del filtro de aire. Solo aplique aceite del filtro de aire a un filtro de espuma. No aplique aceite a un filtro de fieltro.

Para aplicar aceite del filtro de aire al filtro de aire



AVISO: Utilice siempre un aceite especial de filtros de aire en los filtros de aire de espuma. No utilice otros tipos de aceite.



ADVERTENCIA: Evite que le caiga aceite en el cuerpo.

1. Quite la cubierta del filtro de aire y retire el filtro de aire. (Fig. 55)
2. Coloque el filtro de aire en una bolsa de plástico.
3. Coloque el aceite del filtro de aire en una bolsa de plástico. (Fig. 56)
4. Empuje la bolsa de plástico para asegurarse de que el aceite se distribuya equitativamente en el filtro de aire.
5. Presione el filtro de aire, mientras se encuentra en la bolsa, para quitar el aceite que no sea necesario. Saque el filtro de aire de la bolsa.
6. Instale el filtro de aire.

Para agregar grasa al engranaje angulado

Asegúrese de que la grasa para engranajes angulados llene 3/4 del engranaje angulado.

(Fig. 57)

Comprobación de la contratuerca



AVISO: Reemplace la contratuerca después de cada 10 usos.

1. Gire la contratuerca hacia la izquierda para apretarla. Gire la contratuerca hacia la derecha para retirarla. (Fig. 58)

2. Asegúrese de que no pueda girar el revestimiento de nailon de la contratuerca con las manos. El revestimiento de nailon debe proporcionar una resistencia mínima de 1,5 Nm (1,1 pie/lb).
3. Si la resistencia es inferior al mínimo, apriete la contratuerca a 35-50 Nm (26-36 pies/lb).



AVISO: Apretar la contratuerca en exceso puede provocar daños a las roscas.

Afilado de la cuchilla para hierba y la hoja para hierba



ADVERTENCIA: Detenga el motor. Use guantes protectores.

- Para afilar correctamente la cuchilla para hierba o la hoja para hierba, consulte las instrucciones que se incluyen con el equipo de corte.
- Afile todos los bordes de manera uniforme para mantener el equilibrio.
- Utilice una lima plana simple. (Fig. 59)



ADVERTENCIA: Siempre deseche una hoja que presente daños. No intente enderezar una hoja doblada o torcida ni volver a utilizarla.

Solución de problemas

El motor no arranca

Verificar	Causa posible	Procedimiento
Interruptor de detención	El interruptor de detención está en la posición de detención.	Mueva el interruptor de detención hacia la posición de arranque.
Ganchos de arranque	Los ganchos de arranque no se pueden mover libremente.	Retire la cubierta del arranque y limpie alrededor de los ganchos de arranque. Permita que un taller de servicio aprobado lo ayude.
Depósito de combustible	Tipo de combustible incorrecto	Vacíe el depósito de combustible y llénelo con combustible correcto.

Verificar	Causa posible	Procedimiento
Bujía	La bujía está sucia o mojada.	Asegúrese de que la bujía esté limpia y seca.
	La distancia entre los electrodos de la bujía es incorrecta.	Limpie la bujía. Asegúrese de que la distancia entre los electrodos sea la correcta. Asegúrese de que la bujía está equipada con un supresor.
		Consulte los datos técnicos para comprobar la distancia entre los electrodos.
	La bujía está floja.	Ajuste la bujía.

El motor arranca, pero se detiene de nuevo.

Verificar	Causa posible	Procedimiento
Depósito de combustible	Tipo de combustible incorrecto	Vacíe el depósito de combustible y rellénelo con el combustible correcto.
Filtro de aire	El filtro de aire está obstruido.	Limpie el filtro de aire.

Transporte, almacenamiento y eliminación de residuos

Transporte y almacenamiento

- Deje enfriar el producto antes de transportarlo o almacenarlo.
- Retire el sombrerete de bujía antes del almacenamiento durante un período prolongado.
- Fije el producto durante el transporte. Asegúrese de que no se mueva.
- Asegúrese de que no existan riesgos de fugas de combustible, vapores de combustible, chispas ni llamas durante el transporte y el almacenamiento.
- Fije la protección para transportes durante el transporte y almacenamiento.
- Limpie y realice mantenimiento en el producto antes de almacenarlo durante un período prolongado.

Datos técnicos

Datos técnicos

	325R A05328CBHV
Motor	
Cilindrada, cm ³	27,6
Régimen de ralentí, rpm	2800 - 3200
Velocidad máxima recomendada, rpm	8000
Potencia/alimentación máx. del motor, según la norma ISO 8893, kW/hp a rpm	0,9/1,2 a 8000
Silenciador con catalizador	No

	325R A05328CBHV
Velocidad de eje de salida, rpm	7200
Sistema de encendido	
Bujía	Husqvarna HQT-4
Distancia entre los electrodos, mm	0,5
Sistema de combustible	
Capacidad del depósito de combustible, l/cm ³	0,343/343
Dimensiones del producto	
Peso, kg	5,5
Emisiones sonoras⁴	
Nivel de potencia acústica, equipado con la hoja para hierba, medido en dB(A)	108
Nivel de potencia acústica, equipado con cabezal de corte, medido en dB(A)	110
Nivel de potencia acústica (L _{WA}) garantizado, equipado con la hoja para hierba, dB(A)	112
Nivel de potencia acústica (L _{WA}) garantizado, equipado con cabezal de corte, dB(A)	114
Niveles acústicos⁵	
Nivel de presión acústica en el oído del operador, equipado con hoja para hierba, dB(A)	96
Nivel de presión acústica en el oído del operador, equipado con cabezal de corte, dB(A)	95
Niveles de vibración⁶	
Nivel de vibración equivalente (ahv, eq), equipado con hoja para hierba, mango izquierdo, m/s ²	5,1
Nivel de vibración equivalente (ahv, eq), equipado con hoja para hierba, mango derecho, m/s ²	5,7
Nivel de vibración equivalente (ahv, eq), equipado con cabezal de corte, mango izquierdo, m/s ²	4,1
Nivel de vibración equivalente (ahv, eq), equipado con cabezal de corte, mango derecho, m/s ²	4,9

⁴ Las emisiones sonoras en el medioambiente medidas como potencia acústica (L_{WA}) en conformidad con la directiva CE 2000/14/CE. El nivel de potencia acústica registrado para el producto se midió con el equipo de corte original que proporciona el más alto nivel. La diferencia entre la potencia acústica garantizada y medida es que la potencia acústica garantizada también incluye la dispersión en el resultado de la medición y las variaciones entre los distintos productos del mismo modelo según la directiva 2000/14/CE.

⁵ Los datos informados para el nivel de presión acústica equivalente del producto tienen una dispersión estadística típica (desviación estándar) de 1 dB (A).

⁶ Los datos informados para nivel de vibración equivalente tienen una dispersión estadística típica (desviación estándar) de 1 m/s².

Accesorios

Accesorios

Accesorios aprobados	Tipo	Protección del equipo de corte
Eje roscado	M10L	
Cabezal de corte	T35, 2,4 mm	588 11 79-01
Hoja para hierba	Césped 255-4, Ø 250	588 11 79-01

Declaración de conformidad CE

Contenido de la declaración de conformidad de CE

En nombre de Husqvarna AB, SE 561 82 Huskvarna, SUECIA, declaramos bajo nuestra única responsabilidad que el producto representado:

Descripción	Recortadora de césped/ desbrozadora de gasolina
Marca	Husqvarna
Plataforma/Tipo/Modelo	Plataforma A05328CBHV, modelo de representación 325R.
Lote	Números de serie del 2018 y posteriores.

cumplen plenamente con las siguientes directivas y normas de la UE:

Directiva/Norma	Descripción
2006/42/CE	"referente a la maquinaria"
2014/30/UE	"referente a la compatibilidad electromagnética"
2000/14/CE	"referente al ruido exterior"
2011/65/UE	"restricción de uso de determinadas sustancias peligrosas"

Las normas o especificaciones técnicas armonizadas que se aplican son las siguientes: EN ISO 12100, EN ISO 11806-1, CISPR 12, ISO 14982, EN 50581:2012.

De conformidad con la directiva 2000/14/CE, Anexo V, los valores de sonido declarados se indican en la sección de datos técnicos de este manual y en la declaración de conformidad CE firmada.

TÜV Rheinland N.A. ha llevado a cabo un examen de tipo voluntario para Husqvarna AB, que proporciona el certificado de conformidad con la directiva del Consejo 2006/42/CE para la maquinaria.

El certificado, según lo establecido en la declaración de conformidad firmada, se aplica a todas las ubicaciones de fabricación y países de origen, tal y como se declara en el producto.

La recortadora de césped / desbrozadora de gasolina suministrada concuerda con el ejemplar sometido a examen.

Conteúdo

Introdução.....	39	Solução de problemas.....	50
Segurança.....	40	Transporte, armazenamento e descarte.....	51
Montagem.....	45	Dados técnicos.....	51
OPERAÇÃO.....	45	Acessórios.....	52
Manutenção.....	48	DECLARAÇÃO DE CONFORMIDADE DA CE.....	53

Introdução

Manual do operador

O idioma inicial deste manual do operador é o Inglês. Os manuais do operador em outros idiomas são traduções do Inglês.

Uso previsto

Use o produto com um disco de corte de grama ou um cabeçote de recorte para cortar diferentes tipos de vegetação.

Visão geral do produto

(Fig. 1)

1. Cabeçote de recorte
2. Tampa do bocal de enchimento de graxa
3. Engrenagem cônica
4. Proteção do acessório para corte
5. Eixo
6. Interruptor de parada
7. Acelerador
8. Trava do acelerador
9. Barra de direção
10. Braçadeira do arnês
11. Alojamento do motor de partida
12. Capa da vela de ignição, vela de ignição
13. Alça da corda de arranque
14. Tanque de combustível
15. Tampa do filtro de ar
16. Bulbo da bomba de combustível
17. Estrangulador
18. Ajuste do cabo
19. Fio do acelerador
20. Botão de marcha lenta
21. Chicote
22. Chave combinada
23. Manual do operador
24. Protetor para transporte
25. Disco
26. Suporte
27. Flange de apoio
28. Contraporca

Observação: Regulamentos nacionais podem limitar o funcionamento do produto.

29. Disco de acionamento
30. Pino de travamento
31. Chave sextavada

Símbolos no produto

(Fig. 2) **AVISO!** Este produto é perigoso. Ferimentos graves ou morte podem ocorrer ao operador ou a terceiros se o produto não for utilizado com cuidado e corretamente. Para evitar ferimentos ao operador ou a terceiros, leia e respeite todas as instruções de segurança no manual do usuário.

(Fig. 3) Leia atentamente o manual do operador e certifique-se de que tenha entendido as instruções antes de usar.

(Fig. 4) Use um capacete de proteção em locais onde objetos possam cair sobre você. Use protetor auricular aprovado. Use proteção ocular aprovada.

(Fig. 5) Use luvas de proteção aprovadas.

(Fig. 6) Sempre use botas antiaderentes e resistentes.

(Fig. 7) As setas mostram os limites da posição da alça.

(Fig. 8) O produto pode provocar o lançamento de objetos que podem causar ferimentos.

(Fig. 9) Velocidade máxima do eixo de saída.

- (Fig. 10) Mantenha uma distância mínima de 15 m / 50 pés de pessoas e animais durante a operação do produto.
- (Fig. 11) Há risco de arremesso do disco se o equipamento de corte entrar em contato com um objeto que não seja cortado imediatamente. O produto pode cortar partes do corpo. Mantenha uma distância mínima de 15 m / 50 pés de pessoas e animais durante a operação do produto.
- (Fig. 12) Bulbo da bomba de combustível.
- (Fig. 13) Afogador.
- (Fig. 14) Mantenha todas as partes de seu corpo longe das superfícies quentes.
- (Fig. 15) Emissão de ruídos para o ambiente: consulte a Diretiva da Comunidade Europeia. As emissões do produto são especificadas no capítulo de dados técnicos e na etiqueta.
- (Fig. 16) O produto está em conformidade com as diretivas CE aplicáveis.
- (Fig. 17) O produto está em conformidade com as diretivas EAC aplicáveis.

A plaqueta de classificação mostra o número de série. **yyyy** é o ano de produção, **ww** é a semana da produção e **xxxxx** é o número de série.

yyyywwxxxxx

Observação: Outros símbolos/adesivos no produto referem-se aos requisitos de certificação para outras áreas comerciais.

Responsabilidade legal do produto

Como mencionado na legislação de responsabilidade do produto, não somos responsáveis por danos causados pelo nosso produto caso:

- o produto seja reparado incorretamente.
- o produto seja reparado com peças que não sejam da marca do fabricante ou aprovadas pelo fabricante.
- o produto tenha um acessório que não seja da marca do fabricante ou não seja aprovado pelo fabricante.
- O produto não seja reparado em um centro de atendimento aprovado ou por uma autoridade aprovada.

EU V



AVISO: Interferências no motor anulam a aprovação tipo EU deste produto.

Segurança

Definições de segurança

Avisos, cuidados e observações são utilizados para chamar a atenção para partes especialmente importantes do manual.



AVISO: Utilizado se existir um risco de ferimentos ou morte para o operador ou a terceiros se as instruções no manual não forem respeitadas.



CUIDADO: Utilizado se existir um risco de danos para o produto, outros materiais ou para a área adjacente, se as instruções no manual não forem respeitadas.

Observação: Utilizados para conferir mais informações necessárias em uma determinada situação.

Segurança contra vibração

Este produto se destina somente a uso ocasional. A operação contínua ou regular do produto pode causar a "síndrome do dedo branco" ou problemas de saúde equivalentes causados pelas vibrações. Se você opera o produto de maneira contínua ou regular, examine as condições de seus dedos e mãos. Caso as mãos ou os dedos apresentem descoloração, dor, formigamento ou dormência, pare o trabalho e procure assistência médica imediatamente.

Instruções gerais de segurança



AVISO: Antes de usar o produto, leia as instruções de aviso que seguem.

- Use o produto corretamente. O uso incorreto pode resultar em ferimentos ou morte. Use o produto somente nas tarefas relacionadas neste manual. Não use o produto para outras tarefas.
- Obedeça as instruções deste manual. Obedeça os símbolos e instruções de segurança. Se o operador não obedecer as instruções e os símbolos, podem ocorrer ferimentos, danos ou morte.
- Não descarte este manual. Use as instruções para montar, operar e manter o seu produto em boas condições. Use as instruções para fazer a correta instalação dos acessórios. Use somente acessórios aprovados.
- Não use um produto danificado. Obedeça a programação de manutenção. Faça somente o trabalho de manutenção indicado nas instruções neste manual. Todos os demais trabalhos de manutenção deverão ser feitos em um centro de atendimento aprovado.
- Este manual pode não incluir todas as situações que podem ocorrer quando você usar o produto. Tome cuidado e use o bom senso. Não opere o produto nem faça a manutenção se não estiver certo da situação. Fale com um especialista no produto, seu revendedor, agente de serviço ou centro de atendimento aprovado para obter informações.
- Desconecte o cabo da vela de ignição antes de montar o produto, armazená-lo ou fazer manutenção.
- Não use o produto se ele for alterado em relação à sua especificação inicial. Não troque uma peça do produto sem a aprovação do fabricante. Use somente peças aprovadas pelo fabricante. A manutenção incorreta pode resultar em ferimentos ou morte.
- Não respire a fumaça do motor. A inalação dos vapores de escape do motor por longo tempo é perigosa para a saúde.
- Não ligue o produto em um ambiente interno ou próximo de material inflamável. A fumaça do escapamento está quente e pode conter uma faísca capaz de iniciar um incêndio. Um fluxo de ar insuficiente pode causar ferimentos ou morte por asfixia ou monóxido de carbono.
- Quando o produto é usado, o motor produz um campo eletromagnético. O campo eletromagnético pode causar danos a implantes medicinais. Fale com seu médico e com o fabricante do implante antes de operar o produto.
- Não permita que o produto seja operado por crianças. Não permita que o produto seja operado por uma pessoa sem conhecimento das instruções.

- Pessoas com capacidade física ou mental reduzida devem ser sempre monitoradas caso usem o produto. Um adulto responsável deve estar presente em todos os momentos.
- Guarde o produto trancado em uma área fora do alcance de crianças e pessoas desautorizadas.
- O produto pode lançar objetos e causar ferimentos. Obedeça as instruções de segurança para diminuir os riscos de ferimentos ou morte.
- Não saia de perto do produto com o motor ligado.
- O operador do produto é responsável se um acidente ocorrer.
- Antes de usar o produto, verifique se não há peças danificadas.
- Fique a, no mínimo, 15 metros (50 pés) de distância de outras pessoas ou animais antes de usar o produto. Informe às pessoas na área adjacentes que você irá utilizar o produto.
- Consulte as leis locais e federais. Elas podem restringir ou impedir a operação do produto em algumas condições.
- Não use o produto se estiver cansado ou sob a influência de álcool, drogas ou remédios. Essas substâncias podem prejudicar sua visão, consciência, coordenação e capacidade de julgamento.

Instruções de segurança para montagem



AVISO: Antes de usar o produto, leia as instruções de aviso que seguem.

- Retire a capa da vela de ignição antes de montar o produto.
- Use luvas de proteção aprovadas.
- Monte a capa e o eixo corretamente antes de ligar o motor.
- O disco de acionamento e o flange de apoio deve engatar corretamente no orifício central do acessório para corte. Um acessório para corte conectado incorretamente pode causar ferimentos graves ou morte do operador ou de outras pessoas.
- Para utilizar o produto de forma segura e evitar ferimentos ao operador ou a outras pessoas, o produto deve estar sempre conectado corretamente ao arnês.

Instruções de segurança para operação



AVISO: Antes de usar o produto, leia as instruções de aviso que seguem.

- Certifique-se de que o equipamento esteja totalmente montado antes de usá-lo.

- Antes do arranque, mova o produto 3 m (10 pés) de distância da posição em que você abasteceu o tanque de combustível. Coloque o produto sobre uma superfície plana. Certifique-se de que o acessório para corte não entre em contato com o chão ou outros objetos.
- O produto pode provocar o lançamento de objetos, que podem causar danos aos olhos. Sempre use uma proteção ocular aprovada ao operar o produto.
- Tenha cuidado, uma criança pode se aproximar do produto sem o seu conhecimento durante a operação.
- Não opere o produto se houver outras pessoas na área de trabalho. Desligue o produto se uma pessoa entrar na área de trabalho.
- Certifique-se de estar sempre no controle do produto.
- Não utilize o produto, se não for possível receber ajuda em caso de acidente. Certifique-se sempre de outras pessoas saibam que você está operando o produto antes de começar a operá-lo.
- Não gire com o produto antes de certificar-se de que não há pessoas ou animais na área de segurança.
- Remova todos os materiais indesejados da área de trabalho antes de começar o trabalho. Se o acessório para corte atingir um objeto, o objeto pode ser lançado e causar ferimentos ou danos. Material indesejado pode entrar em contato com o acessório para corte e causar danos.
- Não utilize o produto em condições de climáticas ruins (neblina, chuva, ventos fortes, risco de raio ou outras condições climáticas adversas). Condições perigosas (como, por exemplo, superfícies escorregadias) podem ocorrer devido ao mau tempo.
- Certifique-se de poder mover-se livremente e trabalhar em uma posição estável.

(Fig. 18)

- Certifique-se de não correr risco de cair enquanto usa o produto. Não se incline ao operar o produto.
- Sempre segure o produto com as duas mãos. Segure o produto no lado direito do seu corpo.

(Fig. 19)

- Opere o produto com o acessório para corte abaixo da altura da cintura.
- Se o controle do afogador estiver na posição de afogador acionado quando for dado o arranque do motor, o acessório para corte começa a girar.
- Não toque na engrenagem cônica após o desligamento do motor. A engrenagem cônica fica quente após o desligamento do motor. Áreas quentes podem causar lesões.
- Desligue o motor antes de mover o produto.
- Não coloque o produto sobre qualquer superfície com o motor ligado.
- Antes de remover os materiais indesejados do produto, desligue o motor e aguarde até que o movimento do acessório para corte seja

interrompido. Deixe que o acessório para corte pare de se mover antes de remover o material de corte.

Equipamento de Proteção Individual



AVISO: Antes de usar o produto, leia as instruções de aviso que seguem.

- Use o equipamento de proteção individual correto ao operar o produto. O equipamento de proteção individual não elimina o risco de lesões. O equipamento de proteção individual diminui o nível da lesão em caso de acidente.
- Sempre use uma proteção ocular aprovada ao operar o produto.
- Não opere o produto com os pés descalços ou calçados abertos. Sempre use botas antiaderentes e resistentes.
- Use calças compridas de tecido grosso.
- Se for necessário, use luvas de proteção aprovadas.
- Use um capacete se houver possibilidade de queda de objetos sobre a sua cabeça.
- Sempre use proteção auricular aprovada ao operar o produto. Ruídos por um longo período podem causar perda auditiva induzida.
- Certifique-se de que há um kit de primeiros socorros nas proximidades.

Dispositivos de segurança no produto



AVISO: Antes de usar o produto, leia as instruções de aviso que seguem.

- Não use o produto com dispositivos de segurança com defeito.
- Verifique os dispositivos de segurança regularmente. Consulte *Visão geral do produto na página 39*.
- Se os dispositivos de segurança estiverem com defeito, entre em contato com o seu Husqvarnavendedor.

Trava do acelerador

A trava do gatilho do acelerador bloqueia o gatilho. (Fig. 20)

Empurre a trava do acelerador (A) para soltar o acelerador (B). Ao soltar o cabo, a trava do acelerador e o acelerador voltam à posição inicial.

1. Certifique-se de que a trava do acelerador (B) esteja travada em marcha lenta ao soltar a trava do acelerador (A).
2. Empurre a trava do acelerador (A) e certifique-se de que ela volte à posição inicial ao liberá-la.
3. Empurre o acelerador (B) e certifique-se de que ela volte à posição inicial ao liberá-la.

Dê a partida no motor e aplique aceleração total. Solte o acelerador e verifique se o movimento do acessório de corte é interrompido. Se o acessório para corte gira com o acelerador na posição de marcha lenta, examine o parafuso de ajuste de marcha lenta do carburador.

Interruptor de parada

Dê a partida no motor. Certifique-se de que o motor esteja parado ao mover o interruptor de parada para a posição de parada.

(Fig. 21)

Proteção do acessório para corte

A proteção do acessório de corte evita que um objeto solto seja lançado na direção do operador.

(Fig. 22)

Examine a proteção do acessório para corte à procura de danos e substitua-o se estiver danificado. Só use a proteção aprovada para o acessório para corte.

Silenciador

- Não use um motor com um silenciador danificado. Um silenciador danificado aumenta o nível de ruído e o risco de incêndio. Tenha um extintor de incêndio nas proximidades.
- Examine regularmente se o silenciador está fixado ao produto.
- Não toque no motor ou no silenciador quando o motor estiver ligado. Não toque no motor ou no silenciador por um tempo após a interrupção do funcionamento do motor. Superfícies quentes podem causar lesões.
- Um silenciador quente pode causar um incêndio. Seja cuidadoso se estiver operando o produto nas proximidades e líquidos ou vapores inflamáveis.
- Não toque nas peças do silenciador se ele estiver danificado. As peças podem conter algumas substâncias químicas carcinogênicas.

Contraporca

A contraporca é usada para travar alguns tipos de acessório para corte.

(Fig. 23)

Ao instalar a contraporca, aperte-a na direção oposta à de operação do acessório para corte.

Função de liberação do arnês



AVISO: Não use o arnês se houver um defeito na função de liberação. Certifique-se de que a função de liberação do arnês esteja funcionando corretamente ao ajustar o produto.

A função de liberação do arnês fica na parte frontal do produto. As cintas do arnês sempre devem estar na posição correta.

(Fig. 24)

Em caso de emergência, a função de liberação do arnês ajuda você a soltar o produto de forma segura.

Acessório para corte



AVISO: Antes de usar o produto, leia as instruções de aviso que seguem.

- Faça a manutenção regularmente. Peça a um centro de atendimento para examinar regularmente o acessório para corte para fazer ajustes ou reparos.
 - O desempenho do acessório para corte aumenta.
 - A vida útil do acessório para corte é prolongada.
 - O risco de acidentes diminui.
- Use apenas uma proteção aprovada para o acessório para corte. Para mais informações, consulte *Acessórios na página 52*.
- Não use um acessório para corte danificado.

Lâminas para corte de grama e cortadores de grama

- Use o produto com uma lâmina para corte de grama aprovada. Não use uma lâmina para corte de grama sem a instalação apropriada de todas as peças necessárias. Certifique-se de que a instalação seja feita corretamente e que as peças apropriadas sejam usadas. A instalação inapropriada pode fazer com que a lâmina seja lançada e causar lesões graves ao operador ou pessoas nas proximidades.
 - Use luvas de proteção ao manusear ou fazer a manutenção da lâmina.
 - Use proteção para a cabeça ao operar um produto com uma lâmina para corte de grama.
 - Lâminas para corte de grama e cortadores de grama são usados para corte de grama irregular.
 - Uma lâmina para corte de grama pode causar lesões, pois ela continua a girar depois do desligamento do motor ou da liberação do acelerador. Certifique-se de que a lâmina para corte de grama esteja totalmente parada antes de realizar qualquer manutenção.
 - Desligue o motor antes de realizar qualquer serviço no acessório para corte. Certifique-se de que o acessório para corte esteja totalmente parado. Desconecte o cabo da vela de ignição.
 - Use apenas um acessório para corte aprovado ou uma lâmina de corte afiada corretamente.
 - Mantenha os dentes da lâmina afiados corretamente.
- (Fig. 25)
- Não use um acessório para corte danificado.
 - Fixe a proteção de transporte à lâmina para corte de grama ao transportar ou armazenar o produto.

Impulso da lâmina

- Impulso da lâmina é um movimento repentino do produto para o lado, para frente ou para trás. O impulso da lâmina ocorre quando a lâmina para corte de grama ou a lâmina de serra toca um objeto que não pode ser cortado. Em áreas onde há dificuldade para ver o material que está sendo cortado, o risco de impulso da lâmina aumenta.
- Quando ocorre um impulso da lâmina, há um risco de que o produto ou o operador mova-se para outra posição. Uma lâmina em movimento pode atingir pessoas nos arredores e há um risco de lesões.
- Se a lâmina estiver torta, trincada, quebrada ou danificada, descarte-a.
- Use uma lâmina afiada. O risco do impulso da lâmina aumenta quando a lâmina não está afiada.

Segurança do combustível



AVISO: Antes de usar o produto, leia as instruções de aviso que seguem.

- Não misture o combustível em áreas interiores ou nas proximidades de uma fonte de calor.
- Não ligue o produto se houver combustível ou óleo de motor sobre ele. Remova o combustível/óleo indesejado e deixe o produto secar. Remova o combustível indesejado do produto.
- Se você derramar combustível em sua roupa, troque as roupas imediatamente.
- Não deixe combustível cair no seu corpo, ele pode causar lesões. Se você derramar combustível no seu corpo, use sabão e água para removê-lo.
- Não dê partida no motor se tiver derramado óleo ou combustível sobre o produto ou sobre o seu corpo.
- Não ligue o produto se o motor tiver um vazamento. Examine o motor à procura de vazamentos regularmente.
- Tome cuidado com o combustível. Combustível é inflamável e os vapores são explosivos e podem causar lesões ou morte.
- Não inspire os vapores de combustível, eles podem causar lesões. Certifique-se de que haja fluxo de ar suficiente.
- Não fume nas proximidades do combustível ou do motor.
- Não coloque objetos quentes nas proximidades do combustível ou do motor.
- Não adicione combustível quando o motor estiver ligado.
- Certifique-se de que o motor esteja frio antes de reabastecer.

- Antes de reabastecer, abra a tampa do tanque de combustível lentamente e libere a pressão cuidadosamente.
- Não adicione combustível ao motor em uma área coberta. Um fluxo de ar insuficiente pode causar ferimentos ou morte por asfixia ou monóxido de carbono.
- Aperte cuidadosamente a tampa do tanque de combustível, caso contrário, haverá um incêndio.
- Mova o produto para um mínimo de 3 m (10 pés) da posição na qual você abasteceu o tanque antes de ligar o motor.
- Não coloque combustível demais no tanque de combustível.
- Certifique-se de que não há possibilidade de haver um vazamento quando você mover o produto ou o recipiente de combustível.
- Não coloque o produto ou um recipiente de combustível onde haja uma chama aberta, fagulha ou luz piloto. Certifique-se de que a área de armazenamento não contenha uma chama aberta.
- Use apenas recipientes aprovados para mover o combustível ou armazená-lo.
- Esvazie o tanque de combustível antes de armazenar por períodos prolongados. Respeite a legislação local sobre descarte de combustível.
- Limpe o produto antes de armazenamento por períodos prolongados.
- Remova a vela de ignição antes de armazenar o produto para evitar arranque acidental do motor.

Instruções de segurança para manutenção



AVISO: Antes de fazer a manutenção do produto, leia as instruções de aviso que seguem.

- Faça a manutenção somente de acordo com o indicado no manual do operador. Deixe todos os serviços de manutenção e reparo a cargo dos profissionais de assistência.
- Faça as verificações de segurança, manutenção e serviço descritas neste manual. A manutenção regular aumenta a vida útil do produto e reduz o risco de acidentes. Para obter instruções, consulte *Cronograma de manutenção* na página 48.
- Se as verificações de segurança neste manual do usuário não forem consideradas depois de efetuar a manutenção, fale com o revendedor. Garantimos que existem profissionais reparadores profissionais e assistência técnica disponíveis para o seu produto.

Montagem

Introdução



AVISO: Antes de montar o produto, você deve ler e entender o capítulo sobre segurança.



AVISO: Retire o cabo da vela de ignição antes de montar o produto.

Para montar a barra de direção

1. Remova o parafuso de trás do cabo do acelerador. (Fig. 26)
2. Mova o cabo do acelerador para o lado direito da barra de direção.
3. Alinhe o orifício de trás do cabo do acelerador com o orifício da barra de direção.
4. Faça o parafuso passar pelos orifícios. Aperte o parafuso.
5. Instale a barra de direção entre as setas no eixo. Aperte o parafuso. (Fig. 27)

Para instalar a braçadeira do arnês

1. Coloque a braçadeira do arnês no eixo, com o laço da braçadeira para cima. Coloque a braçadeira do arnês acima das setas no eixo.
2. Coloque o fio do acelerador no sulco da braçadeira inferior do arnês.
3. Alinhe o parafuso da braçadeira do arnês nos orifícios.
4. Fixe 2 parafusos nos orifícios.
5. Aperte os parafusos.

Para montar o acessório para corte

Para montar a proteção do acessório para corte

1. Coloque a proteção do acessório para corte (A) sobre o eixo. (Fig. 28)

2. Coloque o suporte (B) no encaixe da proteção do acessório para corte.
3. Prenda o parafuso (C) através do orifício no suporte da proteção do acessório para corte.

Para montar o disco de corte de grama

1. Certifique-se de que a proteção do acessório para corte (A) esteja conectada ao produto. Consulte *Para montar a proteção do acessório para corte na página 45*. (Fig. 29)
2. Coloque o pino de travamento (B) no orifício para travar o eixo.
3. Coloque o disco (E), o suporte (F) e o flange de apoio (F) no eixo de saída (D).
4. Certifique-se de que o disco de acionamento (C) se engate corretamente no orifício central do disco. (Fig. 30)
5. Coloque a contraporca (H) no eixo de saída. Segure o eixo da chave combinada próximo à proteção do acessório para corte. Gire a chave combinada no sentido anti-horário para apertar a contraporca. Aperte a porca com torque de 35 a 50 Nm (26 a 36 pés/lb).
6. Retire o pino de travamento.

Para fixar o cabeçote de recorte

1. Certifique-se de que a proteção do acessório para corte (A) esteja conectada ao produto. Consulte *Para montar a proteção do acessório para corte na página 45*. (Fig. 31)
2. Certifique-se de que o disco de acionamento (C) esteja encaixado no eixo de saída (D).
3. Coloque o pino de travamento (B) no orifício para travar o eixo.
4. Coloque o cabeçote de recorte (E) no eixo de saída.
5. Gire o cabeçote de recorte no sentido anti-horário para apertá-la no eixo de saída. (Fig. 32)
6. Retire o pino de travamento.

OPERAÇÃO

Introdução



AVISO: Antes de operar o produto, você deve ler e entender o capítulo sobre segurança.



CUIDADO: O tipo incorreto de combustível pode resultar em danos ao motor. Use uma mistura de gasolina e óleo para motor de dois tempos.

Combustível

Este produto tem um motor de dois tempos.

Combustível pré-misturado

- Use Husqvarna combustível alquilado pré-misturado de boa qualidade para obter o melhor desempenho

e extensão da vida útil do motor. O combustível contém menos substâncias perigosas em comparação com o combustível normal, o que reduz os perigosos gases de escape. A quantidade de resíduos após a combustão é menor com esse combustível, o que mantém os componentes do motor mais limpos.

Para misturar o combustível

Gasolina



CUIDADO: Não use gasolina com octanagem menor que 90 RON (87 AKI). Isso pode causar danos ao produto.



CUIDADO: Não use gasolina com mais de 10% concentração de etanol (E10). Isso pode causar danos ao produto.

- Utilize apenas gasolina nova sem chumbo com octanagem mínima de 90 RON (87 AKI) e com concentração de etanol menor que 10% (E10).
- Use gasolina com uma octanagem mais elevada se você usa o produto continuamente com alta rotação do motor.

Óleo para motor de dois tempos

- Para obter melhores resultados e desempenho, use Husqvarna óleo de dois tempos.
- Se o óleo para motor de dois tempos Husqvarna não estiver disponível, você pode usar outro óleo dois tempos de boa qualidade destinado a motores refrigerados a ar. Fale com seu revendedor para selecionar o óleo correto.



CUIDADO: Não use óleo de dois tempos para motores refrigerados a água, também conhecido como óleo para motor de popa. Não use óleo para motores de quatro tempos.

Para misturar gasolina e óleo de dois tempos

Gasolina, litro	Óleo para motor de dois tempos, litro
	2% (50:1)
5	0,10
10	0,20
15	0,30
20	0,40



CUIDADO: Pequenos erros podem influenciar drasticamente a proporção da mistura quando você mistura pequenas quantidades de combustível. Meça a quantidade de óleo cuidadosamente e certifique-se de obter a mistura correta.

(Fig. 33)

1. Encha metade da quantidade de gasolina em um recipiente limpo para combustível.
2. Adicione a quantidade total de óleo.
3. Mexa a mistura de combustível.
4. Adicione a quantidade restante de gasolina ao recipiente.
5. Mexa a mistura de combustível com cuidado.



CUIDADO: Não misture combustível por mais de 1 mês de cada vez.

Para adicionar combustível

- Sempre use um recipiente de combustível com uma válvula antiderramamento.
- Se houver algum combustível no recipiente, remova o combustível indesejado e deixe o recipiente secar.
- Certifique-se de que a área próxima à tampa do tanque de combustível esteja limpa.
- Agite o recipiente de combustível antes de adicionar a mistura de combustível ao tanque.

Para fazer o amaciamento

- Durante as primeiras 10 horas de operação, não aplique aceleração total sem carga por períodos prolongados.

Para iniciar e parar

Para examinar antes da partida

1. Verifique se há peças ausentes, danificadas, soltas ou desgastadas no produto.
2. Certifique-se de que as porcas e os parafusos estejam apertados.
3. Certifique-se de que nem os discos, nem o cabeçote de recorte, estejam danificados.
4. A contraporca deve estar devidamente apertada. Consulte *Para examinar a contraporca página 49*.
5. O filtro de ar não pode estar entupido.
6. Certifique-se de que os dispositivos de segurança do produto não estejam com defeito.
7. Verifique se o produto apresenta vazamentos de combustível.

Para ajustar o arnês



AVISO: O produto deve estar sempre conectado corretamente ao arnês. Não use um arnês danificado.

1. Coloque o arnês.
2. Conecte o produto ao arnês.
3. Ajuste o arnês na melhor posição para trabalho.
4. Ajuste as cintas laterais para distribuir o peso do produto sobre os ombros por igual. (Fig. 34)
5. Ajuste o arnês até que o acessório para corte esteja paralelo ao solo.
6. Apoie levemente o acessório para corte no solo. Depois disso, ajuste a braçadeira do arnês para equilibrar o produto corretamente.

Observação: Se você usar um disco de corte de grama, ele deve equilibrar-se a aproximadamente 10 cm / 4 pol acima do solo.

Para dar partida a frio em um motor

1. Empurre o bulbo da bomba de combustível 10 vezes. (Fig. 35)
2. Puxe o controle do afogador para cima. (Fig. 36)
3. Segure o corpo do produto sobre o solo com a sua mão esquerda. (Fig. 37) Não pise no produto. Puxe a corda de arranque lentamente até sentir alguma resistência. Em seguida, puxe a alça da corda de arranque com força.

Observação: Não puxe o gatilho do acelerador enquanto dá a partida no motor.

4. Continue a puxar a alça da corda de arranque até o motor dar partida ou tentar ligar (máx. 3 puxões). Se o motor entrar em funcionamento ou tentar ligar, empurre o controle do afogador para baixo. Continue a puxar até o motor começar a funcionar. Aguarde 60 segundos após a partida antes de puxar o gatilho do acelerador.



CUIDADO: Não puxe a corda de arranque até que ela pare. Não solte a corda de arranque quando ela estiver totalmente estendida. Solte a corda de arranque lentamente. Não obedecer essas instruções pode causar danos ao motor.

Para dar partida a quente em um motor

1. Empurre o bulbo da bomba de combustível 10 vezes.
2. Puxe a corda de arranque até o motor entrar em funcionamento.

Para dar partida no motor quando o combustível estiver muito quente

Se o produto não começar a funcionar, o combustível pode estar muito quente.

Observação: Sempre use combustível novo e diminua o tempo de operação durante clima quente.

1. Coloque o produto em uma área afastada de luz solar.
2. Deixe que o produto esfrie por 20 minutos, no mínimo.
3. Pressione o bulbo da bomba de combustível novamente e novamente por 10 a 15 segundos.
4. Obedeça o procedimento para dar partida em um motor frio. Consulte *Para dar partida a frio em um motora página47*.

Para interromper o funcionamento

- Pressione o interruptor de parada para parar o motor. (Fig. 21)

Observação: O interruptor de parada volta automaticamente à posição inicial.

Para operar o aparador de grama



CUIDADO: Certifique-se de reduzir a velocidade do motor para marcha lenta após cada operação. Um longo período em aceleração total sem carga no motor pode causar danos ao motor.

Observação: Limpe a tampa do cabeçote do aparador ao fixar uma nova linha do aparador para evitar vibrações. Examine outras peças do cabeçote do aparador e limpe-as, se necessário.

Para aparar a grama

1. Segure o cabeçote de recorte imediatamente acima do solo em ângulo. Não empurre a linha de recorte sobre a grama. (Fig. 38)
2. Diminua o comprimento da linha de recorte em 10 a 12 cm / 4 a 4,75 pol.
3. Diminua a rotação do motor para diminuir o risco de danos às plantas.
4. Use 80% da aceleração ao cortar grama próximo a objetos. (Fig. 39)

Para cortar a grama

1. Ao cortar, certifique-se de que a linha de recorte esteja paralela ao chão. (Fig. 40)
2. Não empurre o cabeçote de recorte sobre o chão. Isso pode causar danos ao produto

3. Mova o produto de um lado para outro ao cortar a grama. Use aceleração total. (Fig. 41)

Para remover grama com uma lâmina para corte de grama

1. Lâminas para corte de grama e cortadores de grama não devem ser usados em ramos lenhosos.
2. Uma lâmina para corte de grama é usada para todos os tipos de grama.
3. A grama é cortada com um movimento lateral de pêndulo, onde o movimento da direita para a esquerda é o de limpeza, e o movimento contrário é o de retorno. Permita que o lado esquerdo da lâmina (direção entre 8 e 12 horas no relógio analógico) faça o corte.
4. Se a lâmina tiver um ângulo à esquerda ao limpar a grama, a grama será coletada em uma linha, facilitando o processo. Por exemplo, como um rastelo.
5. Tente trabalhar ritmicamente. Assuma uma postura firme com os pés separados. Mova-se para frente após o movimento de retorno e assuma a postura firme novamente.
6. Deixe o suporte tocar levemente o solo. Ele é usado para proteger a lâmina para não atingir o solo.
7. Reduza o risco de qualquer material envolver a lâmina, sempre trabalhando em potência total e evite o material cortado anteriormente pelo movimento de retorno.

8. Desligue o motor, solte o chicote e coloque a máquina no chão antes de iniciar a coleta do material cortado.

Cabeçote do aparador de grama

- Certifique-se de enrolar a linha do aparador de grama firmemente e igualmente ao redor do tambor para diminuir a vibração.
- Use apenas cabeçotes e linhas de aparador de grama aprovados. Consulte *Acessórios na página 52*.
- Use o comprimento correto de linha do aparador de grama. Uma linha de aparador de grama longa usa mais potência do motor que linha de aparador de grama mais curta.
- Certifique-se de que o cortador na proteção do acessório para corte não esteja danificado.
- Deixe a linha do aparador de grama em água por 2 dias antes de fixar a linha do aparador de grama ao produto. Isso aumenta a vida útil da linha do aparador de grama.

Para substituir a linha de recorte

(Fig. 42)

(Fig. 43)

(Fig. 44)

(Fig. 45)

(Fig. 46)

(Fig. 47)

(Fig. 48)

(Fig. 49)

Manutenção

Introdução



AVISO: Antes de fazer a manutenção, você deve ler e entender o capítulo sobre segurança.

Para todos os serviços de manutenção e reparos no produto é necessário treinamento especial. Garantimos a disponibilidade de reparos e manutenção profissionais. Se o seu revendedor não for uma oficina autorizada, peça informações para saber qual é a oficina autorizada mais próxima.

Cronograma de manutenção

Manutenção semanal

- Limpe as superfícies externas.
- Certifique-se de que o acessório para corte não se mova quando em marcha lenta. Consulte *Para ajustar a marcha lenta na página 48*.
- Examine o nível de graxa na engrenagem cônica. Consulte *Para adicionar graxa à engrenagem cônica na página 49*.
- Examine a contraporca. Consulte *Para examinar a contraporca na página 49*.

Manutenção mensal

- Certifique-se de que a alça do cabo de partida e o cabo de partida não estejam danificados.

Manutenção anual

- Examine a vela de ignição. Consulte *Para examinar a vela de ignição na página 49*.
- Limpe as superfícies externas do carburador e suas áreas adjacentes.
- Limpe o sistema de arrefecimento.
- Examine a tela supressora de fagulhas. Consulte *Para fazer manutenção na tela supressora de fagulhas na página 49*.
- Examine o filtro de combustível.
- Certifique-se de que a mangueira de combustível não esteja danificada.
- Certifique-se de que os cabos e conexões do produto não estejam com defeito.

Para ajustar a marcha lenta

- Certifique-se de que o filtro de ar esteja limpo e a tampa do filtro de ar esteja conectada antes de ajustar a marcha lenta.

- Ajuste a marcha lenta com o parafuso de ajuste de marcha lenta T que é identificado com a marca "T".
 - A marcha lenta está correta quando o motor opera suavemente em todas as posições. A marcha lenta deve estar abaixo da rotação de quando o acessório para corte começa a girar.
1. Gire o parafuso de ajuste de marcha lenta no sentido horário até que o acessório para corte comece a girar. (Fig. 50)
 2. Gire o parafuso de ajuste de marcha lenta no sentido anti-horário até que o acessório para corte pare.

Para fazer manutenção na tela supressora de fagulhas

Use uma escova de aço para limpar a tela supressora de fagulhas. (Fig. 51)

Para limpar o sistema de arrefecimento

Limpe as peças do sistema de refrigeração com uma escova. (Fig. 52)

Para examinar a vela de ignição



CUIDADO: Use a vela de ignição recomendada. Certifique-se de que a peça de reposição seja do mesmo fabricante da peça fornecida pelo fabricante. Uma vela de ignição incorreta pode causar danos ao produto.

1. Examine a vela de ignição quando:
 - a) O motor apresenta baixa potência.
 - b) Há dificuldade de dar a partida no motor.
 - c) O motor não funciona corretamente em marcha lenta.
2. Se houver problemas de partida ou funcionamento do motor, examine a vela de ignição à procura de materiais indesejados. Para diminuir o risco de presença de material indesejado nos eletrodos da vela de ignição:
 - a) Certifique-se de que a marcha lenta esteja ajustada corretamente.
 - b) Certifique-se de que a mistura de combustível esteja correta.
 - c) Certifique-se de que o filtro de ar esteja limpo.
3. Limpe a vela de ignição se estiver suja. Examine se a folga do eletrodo está correta. (Fig. 53)
4. Substitua a vela de ignição quando for necessário.

Para fazer a manutenção do filtro de ar

Para limpar o filtro de ar

1. Remova a tampa do filtro de ar e remova o filtro. (Fig. 54)
2. Limpe o filtro de ar com água morna e sabão. Certifique-se de que o filtro de ar esteja seco antes e instalá-lo.
3. Se o filtro de ar estiver sujo demais para limpá-lo totalmente, substitua-o. Sempre substitua um filtro de ar danificado.
4. Se o seu produto tiver um filtro de ar de espuma, aplique óleo para filtro de ar. Só aplique óleo para filtro de ar em um filtro de espuma. Não aplique óleo em um filtro de feltro.

Para aplicar óleo para filtro de ar ao filtro de ar



CUIDADO: Sempre use óleo especial para filtro de ar em filtros de ar de espuma. Não use outros tipos de óleo.



AVISO: Não deixe o óleo entrar em contato com o seu corpo.

1. Remova a tampa do filtro de ar e remova o filtro. (Fig. 55)
2. Coloque o filtro de ar em um saco plástico.
3. Coloque o óleo para filtro de ar no saco plástico. (Fig. 56)
4. Empurre o saco plástico para certificar-se de que o óleo seja distribuído igualmente em todo o filtro de ar.
5. Pressione o filtro de ar dentro da bolsa para remover excesso de óleo para filtro de ar. Remova o filtro de ar do saco.
6. Instale o filtro de ar.

Para adicionar graxa à engrenagem cônica

Certifique-se de que o nível de graxa da engrenagem cônica esteja em 3/4 do total.

(Fig. 57)

Para examinar a contraporca



CUIDADO: Substitua a contraporca a cada 10 usos.

1. Gire a contraporca no sentido anti-horário para apertá-la. Gire a contraporca no sentido horário para removê-la. (Fig. 58)
2. Tenha certeza de que não é possível girar o revestimento de náilon da contraporca com as

mãos. O revestimento de náilon deve oferecer uma resistência mínima de 1,5 Nm (1,1 pés/lb).

3. Aperte a contraporca com torque de 35 a 50 Nm / 26 a 36 pés/lb, se a resistência for inferior ao mínimo.



CUIDADO: Se você apertar demais a contraporca, isso poderá causar danos nas roscas.

Para afiar a foice para corte de grama e o disco de corte



AVISO: Pare o motor. Use luvas de proteção.



AVISO: Sempre descarte um disco danificado. Não tente endireitar um disco torto ou torcido para usá-lo novamente.

- Para afiar a foice ou o disco de corte corretamente, consulte as instruções que vêm com o acessório de corte.
- Afie todas as bordas igualmente para manter o equilíbrio.
- Use uma lima de corte único. (Fig. 59)

Solução de problemas

O motor não liga

Verificar	Possível causa	Procedimento
Interruptor de parada.	O interruptor de parada está na posição parado.	Coloque o interruptor de parada na posição de partida.
Linguetas do motor de partida.	As linguetas do motor de partida não se movem livremente.	Remove a tampa do motor de partida e limpe ao redor das linguetas. Deixe um agente de serviço aprovado ajudar você.
Tanque de combustível.	Tipo de combustível incorreto.	Drene o tanque de combustível e encha com combustível correto.
Vela de ignição.	A vela de ignição está suja ou molhada.	Certifique-se de que a vela de ignição esteja seca e limpa.
	A folga do eletrodo da vela de ignição está incorreta.	Limpe a vela de ignição. Verifique se o eletrodo está com a folga correta. Certifique-se de que a vela de ignição tenha um supressor. Consulte os dados técnicos para obter a folga correta do eletrodo.
	A vela de ignição está solta.	Aperte a vela de ignição.

O motor dá partida, mas para novamente

Verificar	Possível causa	Procedimento
Tanque de combustível	Tipo de combustível incorreto.	Drene o tanque de combustível e encha-o com combustível correto.
Filtro de ar	O filtro de ar está entupido.	Limpe o filtro de ar.

Transporte, armazenamento e descarte

Transporte e armazenamento

- Deixe o produto esfriar antes do transporte ou armazenamento.
- Remova a tampa da vela de ignição antes de guardar o produto por muito tempo.
- Prenda o produto durante o transporte. Certifique-se de que ele não possa se mover.
- Certifique-se de que não haja risco de vazamentos de combustível, vapores de combustível, faíscas ou chamas durante o transporte e armazenamento.
- Coloque a proteção para transporte durante o transporte e armazenamento.
- Limpe o produto e faça a sua manutenção antes do armazenamento por períodos prolongados.

Dados técnicos

Dados técnicos

	325R A05328CBHV
Motor	
Cilindrada, cm ³	27,6
Marcha lenta, rpm	2800 - 3200
Velocidade máxima recomendada, rpm	8000
Potência / potência máxima do motor, conforme ISO 8893, kW/hp @ rpm	0,9/1,2 @ 8000
Silenciador do conversor catalítico	Não
Rotação do eixo de saída, rpm	7200
Sistema de ignição	
Vela de ignição	Husqvarna HQT-4
Folga do eletrodo	0,5
Sistema de combustível	
Capacidade do tanque de combustível, l/cm ³	0,343/343
Dimensões do produto	
Peso, kg	5,5
Emissões de ruído⁷	
Nível de potência sonora, medido, equipado com disco de corte de grama, dB(A)	108
Nível de potência sonora, medido, equipado com cabeçote de recorte, dB(A)	110
Nível de potência sonora, garantido (L _{WA}), equipado com disco de corte de grama, dB(A)	112

⁷ As emissões de ruído no meio ambiente são medidas como potência sonora (L_{WA}) em conformidade com a norma EC 2000/14/EC. O nível de potência sonora relatado do produto foi medido com o acessório para corte original que proporciona o maior nível. A diferença entre potência sonora garantida e medida é que a potência sonora garantida também inclui dispersão no resultado da medição e as variações entre os diferentes produtos do mesmo modelo, de acordo com a diretiva 2000/14/EC.

	325R A05328CBHV
Nível de potência sonora, garantido (L_{WA}), equipado com cabeçote de recorte, dB(A)	114
Níveis sonoros⁸	
Nível de pressão sonora no ouvido do operador, equipado com disco de corte de grama, dB(A)	96
Nível de pressão sonora no ouvido do operador, equipado com cabeçote de recorte, dB(A)	95
Níveis de vibração⁹	
Nível de vibração equivalente (ahv, eq), equipado com disco de corte de grama, alça esquerda, m/s^2	5,1
Nível de vibração equivalente (ahv, eq), equipado com disco de corte de grama, alça direita, m/s^2	5,7
Nível de vibração equivalente (ahv, eq) equipado com cabeçote de recorte, alça esquerda, m/s^2	4,1
Nível de vibração equivalente (ahv, eq) equipado com cabeçote de recorte, alça direita, m/s^2	4,9

Acessórios

Acessórios

Acessórios aprovados	Tipo	Proteção do acessório para corte
Eixo roscado	M10L	
Cabeçote de recorte	T35, 2,4 mm	588 11 79-01
Lâmina para corte de grama	Grama 255-4, Ø 250	588 11 79-01

⁸ Os dados informados para pressão sonora equivalente do produto têm uma dispersão estatística típica (desvio padrão) de 1 dB (A).

⁹ Os dados informados para nível de vibração têm uma dispersão estatística típica (desvio padrão) de 1 m/s^2 .

DECLARAÇÃO DE CONFORMIDADE DA CE

Conteúdo da declaração de conformidade da CE

Nós, Husqvarna AB, SE 561 82 Huskvarna, SUÉCIA, declaramos, sob nossa exclusiva responsabilidade, que o produto representado:

Descrição	Aparador de grama / roçadeira a gasolina
Marca	Husqvarna
Plataforma / Tipo / Modelo	Plataforma A05328CBHV, representando o modelo 325R.
Lote	Número de série com data a partir de 2018.

está em total acordo com as seguintes diretivas e normas da EC:

Diretiva/Norma	Descrição
2006/42/EC	"relativa a maquinário"
2014/30/EU	"relativa à compatibilidade eletromagnética"
2000/14/EC	"relativa ao ruído externo"
2011/65/EU	"restrição do uso de determinadas substâncias perigosas"

Os padrões harmonizados e/ou especificações técnicas aplicadas são os seguintes: EN ISO 12100, EN ISO 11806-1, CISPR 12, ISO 14982, EN 50581:2012 .

De acordo com a diretiva 2000/14/EC, Anexo V, os valores sonoros declarados são informados na seção de dados técnicos deste manual na Declaração de Conformidade da EC assinada.

A TUV Rheinland N.A. A realizou uma verificação voluntária em nome da Husqvarna AB, fornecendo um certificado de conformidade com a diretiva do Conselho da CE 2006/42/EC para maquinário.

O certificado, conforme fornecido na Declaração de Conformidade EC, é aplicável a todos os locais de fabricação e países de origem, conforme informado no produto.

O aparador de grama / roçadeira a gasolina fornecido está em conformidade com o modelo que passou pelo exame.

Содержание

Введение.....	54	Поиск и устранение неисправностей.....	66
Безопасность.....	56	Транспортировка, хранение и утилизация.....	67
Сборка.....	61	Технические данные.....	67
Эксплуатация.....	61	Принадлежности.....	69
Техническое обслуживание.....	64	Декларация соответствия ЕС.....	70

Введение

Руководство по эксплуатации

Исходный текст данного руководства по работе составлен на английском языке. Руководства по работе на других языках являются переводами с английского.

Назначение

Изделие предназначено для использования с лезвием для травы или головкой триммера для скашивания различных типов растительности.

Обзор изделия

(Рис. 1)

1. Головка триммера
2. Пробка отверстия для заправки консистентной смазки
3. Угловая зубчатая передача
4. Щиток режущего оборудования
5. Штанга
6. Выключатель
7. Дроссельный регулятор
8. Стопор дроссельного регулятора
9. Рукоятка
10. Фиксатор подвески
11. Кожух стартера
12. Колпачок свечи зажигания, свеча зажигания
13. Ручка шнура стартера
14. Топливный бак
15. Крышка воздушного фильтра
16. Груша нагнетателя
17. Заслонка
18. Регулировка рукоятки
19. Трос дросселя
20. Кнопка быстрого холостого хода
21. Подвеска
22. Комбинированный ключ
23. Руководство по эксплуатации
24. Транспортировочный щиток
25. Нож
26. Опорный колпак

Примечание: Государственные нормативы могут накладывать ограничения на эксплуатацию данного изделия.

27. Опорный фланец
28. Контргайка
29. Ведущий диск
30. Стопорный штифт
31. Шестигранный ключ

Условные обозначения на изделии

(Рис. 2) **ПРЕДУПРЕЖДЕНИЕ!** Данное изделие является опасным инструментом. Небрежная или неправильная эксплуатация может привести к травме или смерти оператора или посторонних наблюдателей. Во избежание травм оператора или посторонних наблюдателей прочитайте и соблюдайте все инструкции по безопасности, приведенные в руководстве по эксплуатации.

(Рис. 3) Перед началом работы внимательно прочитайте руководство по эксплуатации и убедитесь, что понимаете приведенные здесь инструкции.

(Рис. 4) Используйте защитный шлем в тех местах, где существует вероятность падения предметов. Всегда пользуйтесь защитными наушниками. Пользуйтесь проверенными средствами защиты глаз.

- (Рис. 5) Используйте проверенные защитные перчатки.
- (Рис. 6) Надевайте прочные нескользкие ботинки.
- (Рис. 7) Стрелками показаны границы расположения рукоятки.
- (Рис. 8) Изделие может отбрасывать предметы, что может стать причиной травмы.
- (Рис. 9) Максимальная частота вращения выходного вала.
- (Рис. 10) Посторонние лица и животные должны находиться на расстоянии не менее 15 м (50 футов) от работающего инструмента.
- (Рис. 11) Риск отскакивания ножа, если режущее оборудование касается предмета, который не разрезается мгновенно. При работе с изделием существует риск пореза частей тела. Посторонние лица и животные должны находиться на расстоянии не менее 15 м (50 футов) от работающего инструмента.
- (Рис. 12) Груша нагнетателя.
- (Рис. 13) Воздушная заслонка.
- (Рис. 14) Держите части тела вдали от нагретых поверхностей изделия.
- (Рис. 15) Уровень излучения шума в окружающую среду соответствует директиве ЕС. Звуковое излучение данного изделия приведено в разделе "Технические данные" и на паспортной табличке.
- (Рис. 16) Изделие соответствует действующим директивам ЕС.
- (Рис. 17) Изделие соответствует действующим директивам ЕАС.

На паспортной табличке указан серийный номер. **уууу** обозначает год выпуска, **ww** — неделю производства, а **ххххх** — серийный номер.

ууууwwххххх

Примечание: Остальные символы/этикетки на изделии отвечают требованиям, предъявляемым к сертификации в других коммерческих зонах.

Ответственность изготовителя

В соответствии с законами об ответственности изготовителя мы не несем ответственности за ущерб, вызванный эксплуатацией нашего изделия в результате:

- ненадлежащего ремонта изделия;
- использования для ремонта изделия неоригинальных деталей или деталей, одобренных производителем;
- использования неоригинальных дополнительных принадлежностей или не одобренных производителем;
- ремонта изделия в неавторизованном сервисном центре или некавалифицированным специалистом.

ЕС V



ПРЕДУПРЕЖДЕНИЕ: В случае вмешательства в работу двигателя данное изделие перестанет соответствовать нормативам ЕС.

Инструкции по технике безопасности

Предупреждения, предостережения и примечания используются для выделения особо важных пунктов руководства.



ПРЕДУПРЕЖДЕНИЕ: Используется, когда несоблюдение инструкций руководства может привести к травмам или смерти оператора или находящихся рядом посторонних лиц.



ВНИМАНИЕ: Используется, когда несоблюдение инструкций руководства может привести к повреждению изделия, других материалов или прилегающей территории.

Примечание: Используется для предоставления дополнительных сведений о конкретной ситуации.

Техника безопасности в отношении вибрации

Данное изделие предназначено только для периодического использования. Непрерывная или регулярная эксплуатация изделия может привести к «синдрому белых пальцев» или аналогичным заболеваниям, вызванным воздействием вибрации. При продолжительном или регулярном использовании изделия периодически проверяйте состояние своих ладоней и пальцев. При обнаружении таких симптомов, как изменение цвета кожи, боль в ладонях или пальцах, покалывание или потеря чувствительности, немедленно прекратите работу и обратитесь за медицинской помощью.

Общие инструкции по технике безопасности



ПРЕДУПРЕЖДЕНИЕ: В обязательном порядке прочитайте следующие инструкции по технике безопасности, прежде чем приступать к эксплуатации изделия.

- Пользуйтесь изделием правильно. Неправильное использование может привести к травме или смертельному исходу. Изделие предназначено только для выполнения работ, описанных в данном руководстве. Запрещается использовать изделие для других видов работ.
- Соблюдайте инструкции, изложенные в данном руководстве. Обращайте внимание на знаки безопасности и следуйте инструкциям по технике

безопасности. Несоблюдение оператором инструкций и знаков может привести к травме, повреждениям или смерти.

- Не выбрасывайте это руководство. Следуйте инструкциям по сборке, эксплуатации и уходу за изделием. Используйте эти инструкции для правильной установки насадок и дополнительных принадлежностей. Используйте только апробированные насадки и аксессуары.
- Не используйте поврежденное изделие. Соблюдайте график техобслуживания. Выполняйте самостоятельно только те работы по техобслуживанию, которые описаны в данном руководстве. Все другие работы по техобслуживанию должны выполняться авторизованным сервисным центром.
- В данное руководство невозможно включить все ситуации, которые могут возникнуть при использовании изделия. Будьте осторожны и руководствуйтесь здравым смыслом. Если вы не уверены в ситуации, не используйте изделие и не выполняйте его техобслуживание. Для получения необходимой информации обратитесь к специалисту по продукции, дилеру, специалисту по обслуживанию или в авторизованный сервисный центр.
- Отсоединяйте кабель свечи зажигания перед сборкой изделия, помещением его на хранение или проведением техобслуживания.
- Запрещается использовать изделие, если были изменены его исходные технические характеристики. Запрещено вносить изменения в конструкцию изделия без одобрения производителя. Используйте только рекомендованные производителем запчасти. Неправильное техобслуживание может привести к травме или смертельному исходу.
- Не вдыхайте выхлопные газы двигателя. Продолжительное вдыхание выхлопных газов двигателя опасно для здоровья.
- Запрещается запускать изделие в помещении или рядом с легковоспламеняющимися материалами. Выхлопные газы имеют высокую температуру и могут содержать искры, которые в свою очередь могут привести к пожару. Недостаточная вентиляция может привести к травме или смерти в результате удушья или отравления угарным газом.
- Во время работы вокруг двигателя создается электромагнитное поле. Электромагнитное поле может привести к повреждению медицинских имплантатов. Проконсультируйтесь с врачом и изготовителем имплантата перед использованием изделия.
- Не позволяйте детям использовать изделие. Не разрешайте пользоваться изделием людям, которые не знакомы с данными инструкциями.

- Не позволяйте людям с ограниченными физическими или умственными способностями пользоваться данным изделием без присмотра. Они должны постоянно находиться под присмотром взрослого.
- Запирайте изделие в месте, не доступном для детей и лиц, не допущенных к эксплуатации изделия.
- Во время работы изделие может отбрасывать находящиеся на земле предметы, что может привести к травме. Чтобы уменьшить риск получения серьезных или смертельных травм, соблюдайте инструкции по технике безопасности.
- Запрещается оставлять изделие с работающим двигателем без присмотра.
- При возникновении несчастного случая ответственность несет оператор изделия.
- Перед использованием изделия проверьте детали на отсутствие повреждений.
- Перед началом эксплуатации изделия убедитесь, что вы находитесь на расстоянии не менее 15 м (50 футов) от других людей или животных. Убедитесь, что находящиеся поблизости люди знают, что вы будете использовать изделие.
- Соблюдайте требования национальных или местных законов. В некоторых случаях они могут запрещать или ограничивать использование изделия.
- Ни в коем случае не используйте изделие, если вы устали или находитесь под воздействием спиртного, наркотических веществ или лекарственных препаратов. Они могут повлиять на ваше зрение, реакцию, координацию или оценку действительности.

Инструкции по технике безопасности во время сборки



ПРЕДУПРЕЖДЕНИЕ: В обязательном порядке прочитайте следующие инструкции по технике безопасности, прежде чем приступать к эксплуатации изделия.

- Перед сборкой изделия снимите со свечи зажигания колпак свечи зажигания.
- Используйте проверенные защитные перчатки.
- Перед запуском двигателя проверьте правильность установки крышки и вала.
- Ведущий диск и опорный фланец должны правильно входить в центральное отверстие режущего оборудования. Неправильная установка режущего оборудования может стать причиной серьезной травмы или смерти оператора или других людей.
- Для безопасной эксплуатации изделия и во избежание травм оператора или посторонних лиц изделие всегда должно правильно крепиться к подвеске.

Инструкции по технике безопасности во время эксплуатации



ПРЕДУПРЕЖДЕНИЕ: В обязательном порядке прочитайте следующие инструкции по технике безопасности, прежде чем приступать к эксплуатации изделия.

- Прежде чем использовать изделие, убедитесь, что оно полностью собрано.
 - Перед запуском сдвиньте изделие на 3 м (10 футов) от места, в котором вы заполняли топливный бак. Положите изделие на ровную поверхность. Убедитесь, что режущее оборудование не касается грунта или других объектов.
 - Изделие может отбрасывать находящиеся на земле предметы, что может причинить вред глазам. Всегда пользуйтесь одобренными средствами защиты глаз при использовании изделия.
 - Будьте осторожны, во время работы к изделию может незаметно приблизиться ребенок.
 - Не пользуйтесь изделием, если в рабочей зоне находятся другие люди. Выключайте изделие при входе другого человека в рабочую зону.
 - Всегда держите изделие под контролем.
 - Не пользуйтесь изделием, если вы не сможете получить помощь при несчастном случае. Прежде чем начать использовать изделие, всегда сообщайте об этом другим людям.
 - Не поворачивайтесь с изделием, не убедившись в отсутствии людей или животных в опасной зоне.
 - Перед началом работы уберите все посторонние материалы из рабочей зоны. При ударе режущего оборудования о предмет последний может отскочить и привести к травме или повреждению. Посторонние материалы могут наматываться на режущее оборудование и привести к повреждению.
 - Запрещается пользоваться изделием в плохую погоду (при тумане, дожде, сильном ветре, опасности удара молнии и других погодных явлениях). Плохие погодные условия могут создавать опасные условия для работы (например, скользкие поверхности).
 - Убедитесь, что вы можете свободно перемещаться и работать в устойчивом положении.
- (Рис. 18)
- Убедитесь в отсутствии риска падения во время использования изделия. Запрещается наклоняться во время эксплуатации изделия.
 - Всегда держите изделие двумя руками. Держите изделие с правой стороны от тела.

(Рис. 19)

- Во время работы держите режущее оборудование ниже пояса.
- Если при запуске двигателя заслонка находится в закрытом положении, режущее оборудование начинает вращаться.
- Не прикасайтесь к зубчатой передаче после остановки двигателя. После остановки двигателя она имеет высокую температуру. Горячие поверхности могут стать причиной травм.
- Выключайте двигатель перед перемещением изделия.
- Запрещается класть изделие на землю с работающим двигателем.
- Чтобы очистить изделие от посторонних материалов, выключите двигатель и дождитесь полной остановки режущего оборудования. Дождитесь остановки режущего оборудования, прежде чем вы или ваш помощник уберет срезанный материал.

Средства индивидуальной защиты



ПРЕДУПРЕЖДЕНИЕ: В обязательном порядке прочитайте следующие инструкции по технике безопасности, прежде чем приступать к эксплуатации изделия.

- Всегда используйте соответствующее защитное снаряжение при эксплуатации изделия. Защитное снаряжение не исключает риск травмирования. Оно снижает тяжесть травмы при несчастном случае.
- Всегда пользуйтесь одобренными средствами защиты глаз при использовании изделия.
- При эксплуатации изделия запрещается быть босиком или носить открытую обувь. Всегда надевайте прочные нескользкие ботинки.
- Надевайте прочные длинные брюки.
- При необходимости используйте одобренные защитные перчатки.
- Надевайте шлем, если существует вероятность попадания объектов в голову.
- Всегда надевайте одобренные защитные наушники при использовании изделия. Длительное воздействие шума может привести к снижению слуха.
- Всегда имейте при себе аптечку для оказания первой медицинской помощи.

Защитные устройства на изделии



ПРЕДУПРЕЖДЕНИЕ: В обязательном порядке прочитайте следующие инструкции по технике безопасности, прежде чем приступать к эксплуатации изделия.

- Запрещается использовать изделие с неисправными защитными устройствами.
- Регулярно выполняйте проверку защитных устройств. См. раздел *Обзор изделия на стр. 54*.
- Если защитные устройства неисправны, обратитесь к своему сервисному дилеру Husqvarna.

Стопор рычага дросселя

Стопор рычага дросселя блокирует рычаг дросселя. (Рис. 20)

Нажмите на стопор рычага дросселя (А), чтобы освободить рычаг дросселя (В). Когда вы отпускаете ручку, стопор рычага дросселя и рычаг дросселя возвращаются в исходное положение.

1. Убедитесь, что рычаг дросселя (В) заблокирован в положении холостого хода в момент отпускания стопора рычага дросселя (А).
2. Нажмите на стопор рычага дросселя (А) и удостоверьтесь, что он возвращается в первоначальное положение при его освобождении.
3. Нажмите на рычаг дросселя (В) и удостоверьтесь, что он возвращается в первоначальное положение при его освобождении.

Запустите двигатель и полностью откройте дроссель. Отпустите рычаг дросселя и проверьте, остановилось ли режущее оборудование. Если после установки дросселя в положение холостого хода режущее оборудование продолжает вращаться, следует проверить винт регулировки холостого хода карбюратора.

Выключатель

Запустите двигатель. Убедитесь, что двигатель останавливается при установке выключателя в положение остановки.

(Рис. 21)

Щиток режущего оборудования

Щиток режущего оборудования предотвращает выброс предметов в сторону оператора. (Рис. 22)

Проверьте щиток режущего оборудования на наличие повреждений и замените его, если он поврежден. Используйте для режущего оборудования только одобренный щиток.

Глушитель

- Запрещается использовать двигатель с поврежденным глушителем. Поврежденный глушитель повышает уровень шума и риск пожара. Держите огнетушитель в пределах досягаемости.

- Периодически проверяйте надежность крепления глушителя к корпусу изделия.
- Не прикасайтесь к двигателю или глушителю во время работы двигателя. Не прикасайтесь к двигателю или глушителю в течение некоторого времени после выключения двигателя. Горячие поверхности могут стать причиной травм.
- Горячий глушитель может стать причиной пожара. Соблюдайте осторожность при использовании изделия вблизи легковоспламеняющихся жидкостей или газов.
- Не прикасайтесь к деталям глушителя, если он поврежден. На деталях могут находиться канцерогенные химические вещества.

Контргайка

На некоторых видах режущего оборудования для крепления используется контргайка.

(Рис. 23)

При установке контргайки затяните ее в направлении, противоположном направлению вращения режущего оборудования.

Функция расщепления оснастки



ПРЕДУПРЕЖДЕНИЕ: Запрещается использовать оснастку с неисправной функцией расщепления. Во время регулировки изделия убедитесь, что функция расщепления оснастки работает исправно.

Функция расщепления оснастки находится в передней части изделия. Лямки оснастки должны всегда оставаться в правильном положении. (Рис. 24)

Функция расщепления оснастки позволяет безопасно снять изделие в экстренной ситуации.

Режущее оборудование



ПРЕДУПРЕЖДЕНИЕ: В обязательном порядке прочитайте следующие инструкции по технике безопасности, прежде чем приступать к эксплуатации изделия.

- Регулярно выполняйте техобслуживание. Ваш авторизованный сервисный центр должен регулярно проверять режущее оборудование и выполнять необходимую регулировку и ремонт.
 - Повышается эффективность режущего оборудования.
 - Увеличивается срок службы режущего оборудования.
 - Уменьшается риск несчастных случаев.
- Используйте только одобренный щиток режущего оборудования. Для более подробной

информации смотрите *Принадлежности на стр. 69.*

- Не используйте поврежденное режущее оборудование.

Лезвия и ножи для травы

- Используйте изделие с одобренным лезвием для травы. Запрещается использовать лезвие для травы, если все необходимые детали не установлены должным образом. Убедитесь, что установка выполнена правильно и используются соответствующие детали. Неправильная установка может привести к отрыву ножа и серьезной травме оператора или находящихся рядом посторонних лиц.
- При работе с ножом или техническом обслуживании всегда надевайте защитные перчатки.
- При использовании изделия с лезвием для травы надевайте защитный шлем.
- Лезвие и нож для травы предназначены для выкашивания грубой травы.
- Нож для травы может стать причиной травмы, если он продолжает вращаться после остановки двигателя или отпущения рычага дросселя. Убедитесь, что нож для травы полностью остановился, прежде чем выполнять техническое обслуживание.
- Всегда выключайте двигатель, прежде чем приступить к работе с режущим оборудованием. Убедитесь, что режущее оборудование полностью остановилось. Отсоедините провод свечи зажигания.
- Используйте только одобренное режущее оборудование или правильно заточенный нож.
- Режущие зубья ножа должны быть правильно заточены.

(Рис. 25)

- Не используйте поврежденное режущее оборудование.
- Перед транспортировкой или помещением изделия на хранение установите на лезвие для травы транспортировочный щиток.

Отскакивание ножа

- Отскакивание ножа — это резкое движение изделия в сторону, вперед или назад. Отскакивание происходит, когда нож для травы или режущий диск ударяется о прочный предмет. В местах, где затруднен обзор разрезаемого материала, риск отскакивания ножа возрастает.
- При отскакивании ножа существует риск смещения положения изделия или оператора. Движущийся нож может ударить стоящих рядом людей и стать причиной травм.
- Утилизируйте нож, если он деформирован, имеет трещины, сломан или поврежден.

- Пользуйтесь заточенным ножом. Риск отскакивания ножа возрастает при использовании незаточенного ножа.

Правила безопасного обращения с топливом



ПРЕДУПРЕЖДЕНИЕ: В обязательном порядке прочитайте следующие инструкции по технике безопасности, прежде чем приступить к эксплуатации изделия.

- Не смешивайте топливо в помещении или рядом с источником тепла.
- Запрещается запускать изделие, если на него попало топливо или моторное масло. Удалите постороннее топливо/масло и дайте изделию высохнуть. Удалите постороннее топливо с поверхности изделия.
- Если топливо попало на одежду, немедленно смените ее.
- Не допускайте попадания топлива на тело, это может причинить вред здоровью. При попадании топлива на тело смойте его водой с мылом.
- Запрещается запускать двигатель, если вы пролили масло или топливо на изделие или тело.
- Запрещается запускать изделие при наличии утечки из двигателя. Регулярно проверяйте двигатель на наличие утечек.
- Соблюдайте осторожность при обращении с топливом. Топливо является легковоспламеняющейся жидкостью со взрывоопасными парами и может привести к серьезным или смертельным травмам.
- Запрещается вдыхать пары топлива, т. к. это может причинить вред здоровью. Убедитесь в наличии достаточного потока воздуха.
- Запрещается курить вблизи топлива или двигателя.
- Запрещается ставить теплые предметы рядом с топливом или двигателем.
- Запрещается доливать топливо при работающем двигателе.
- Прежде чем заправить изделие, убедитесь, что двигатель полностью остыл.
- Перед заправкой топлива медленно откройте крышку топливного бака и осторожно сбросьте давление.
- Запрещается заливать топливо в двигатель в помещении. Недостаточная вентиляция может привести к травме или смерти в результате удушья или отравления угарным газом.
- Аккуратно затяните крышку топливного бака во избежание возгорания.
- Переместите изделие минимум на 3 м (10 футов) от места заправки топливом, прежде чем запустить его.

- Не наливайте в топливный бак слишком много топлива.
- Убедитесь, что при перемещении изделия или емкости для топлива невозможно возникновение утечки.
- Запрещает размещать изделие или емкость для топлива вблизи открытого огня, искр или горящих фитилей. Убедитесь, что в месте хранения отсутствует открытый огонь.
- Используйте только одобренные емкости для переноски и хранения топлива.
- Сливайте топливо из топливного бака перед размещением изделия на длительное хранение. Соблюдайте требования местного законодательства в отношении места утилизации топлива.
- Очистите изделие, прежде чем поместить его на длительное хранение.
- Прежде чем поместить изделие на хранение, снимите кабель свечи зажигания во избежание случайного запуска двигателя.

Инструкции по технике безопасности во время технического обслуживания



ПРЕДУПРЕЖДЕНИЕ: В обязательном порядке прочитайте следующие инструкции по технике безопасности, прежде чем приступить к техобслуживанию изделия.

- Выполняйте только те работы по техническому и сервисному обслуживанию, которые описаны в данном руководстве по эксплуатации. Для проведения всех остальных работ по техническому и сервисному обслуживанию обращайтесь к квалифицированным специалистам по обслуживанию.
- Регулярно проверяйте состояние защитных приспособлений и проводите техническое и сервисное обслуживание в соответствии с инструкциями настоящего руководства. Регулярное техническое обслуживание продлевает срок службы изделия и снижает вероятность несчастных случаев. Инструкции см. в разделе *График технического обслуживания на стр. 64*.
- Если после выполнения обслуживания при проведении проверки защитных приспособлений были выявлены неисправности, обратитесь к своему дилеру по обслуживанию. Мы гарантируем, что ремонт и обслуживание вашего изделия будут выполнять квалифицированные профессионалы.

Сборка

Введение



ПРЕДУПРЕЖДЕНИЕ: Перед сборкой изделия ознакомьтесь с разделом, посвященным безопасности, и усвойте его содержание.



ПРЕДУПРЕЖДЕНИЕ: Перед сборкой изделия снимите со свечи зажигания провод свечи зажигания.

Сборка рукоятки

1. Отверните винт за ручкой дросселя. (Рис. 26)
2. Сдвиньте ручку дросселя вправо от рукоятки.
3. Совместите винтовое отверстие за ручкой дросселя с отверстием рукоятки.
4. Вставьте винт в отверстия. Затяните винт.
5. Установите рукоятку между стрелками на вале. Затяните винт. (Рис. 27)

Крепление фиксатора подвески

1. Установите фиксатор подвески на вал петель фиксатора подвески вверх. Установите фиксатор подвески над стрелками на вале.
2. Вставьте трос дросселя в нижний паз фиксатора подвески.
3. Совместите отверстия под винты фиксатора подвески.
4. Вставьте два винта в резьбовые отверстия.
5. Затяните винты.

Сборка режущего оборудования

Сборка щитка режущего оборудования

1. Установите щиток режущего оборудования (А) на вал. (Рис. 28)
2. Установите кронштейн (В) в паз на щитке режущего оборудования.

3. Установите болт (С) в отверстие кронштейна на щитке режущего оборудования.

Установка лезвия для травы

1. Убедитесь, что щиток режущего оборудования (А) прикреплен к устройству. См. раздел *Сборка щитка режущего оборудования на стр. 61.* (Рис. 29)
2. Вставьте стопорный штифт (В) в отверстие, чтобы зафиксировать вал.
3. Установите лезвие (Е), опорный колпак (F) и опорный фланец (G) на выходной вал (D).
4. Убедитесь, что ведущий диск (С) правильно входит в центральное отверстие лезвия. (Рис. 30)
5. Наденьте на выходной вал контргайку (Н). Держите ось комбинированного ключа рядом с щитком режущего оборудования. Поверните комбинированный ключ по часовой стрелки, чтобы затянуть контргайку. Затяните контргайку моментом 35-50 Нм (26-36 фут/фунт).
6. Снимите стопорный штифт.

Установка головки триммера

1. Убедитесь, что щиток режущего оборудования (А) прикреплен к устройству. См. раздел *Сборка щитка режущего оборудования на стр. 61.* (Рис. 31)
2. Убедитесь, что ведущий диск (С) закреплен к выходному валу (D).
3. Вставьте стопорный штифт (В) в отверстие, чтобы зафиксировать вал.
4. Установите головку триммера (Е) на выходной вал.
5. Поверните головку триммера против часовой стрелки, чтобы затянуть ее на выходном вале. (Рис. 32)
6. Снимите стопорный штифт.

Эксплуатация

Введение



ПРЕДУПРЕЖДЕНИЕ: Перед эксплуатацией прибора необходимо внимательно изучить раздел безопасности.

Топливо

Данное изделие оборудовано двухтактным двигателем.



ВНИМАНИЕ: Заправка неподходящим типом топлива может привести к повреждению двигателя. Используйте смесь бензина и масла для двухтактных двигателей.

Предварительно смешанное топливо

- Для обеспечения оптимальной производительности и продления срока службы двигателя используйте предварительно смешанное топливо-алкилат Husqvarna надлежащего качества. Данный тип топлива содержит меньшее количество вредных веществ по сравнению с обычным топливом, что приводит к сокращению вредных выбросов. Такое топливо при сгорании образует меньшее количество остатков, благодаря чему компоненты двигателя остаются более чистыми.

Смешивание топлива

Бензин



ВНИМАНИЕ: Не используйте бензин с октановым числом меньше 90 RON (87 AKI). Это может привести к повреждению изделия.



ВНИМАНИЕ: Запрещается использовать бензин с концентрацией этанола более 10% (E10). Это может привести к повреждению изделия.

- Всегда используйте свежий неэтилированный бензин с минимальным октановым числом 90 RON (87 AKI) и концентрацией этанола менее 10% (E10).
- Используйте бензин с более высоким октановым числом, если изделие часто используется с постоянно высокой частотой оборотов двигателя.

Масло для двухтактных двигателей

- Для достижения оптимальных результатов и мощности пользуйтесь маслом Husqvarna для двухтактных двигателей.
- Если у вас нет масла Husqvarna для двухтактных двигателей, вы можете использовать высококачественное масло, предназначенное для двухтактных двигателей с воздушным охлаждением. Для выбора правильного масла обратитесь к своему дилеру по обслуживанию.



ВНИМАНИЕ: Запрещается использовать масло, предназначенное для двухтактных двигателей с внешним водяным охлаждением, т.н. "outboard oil". Использовать масло для четырехтактных двигателей запрещается.

Смешивание бензина и масла для двухтактных двигателей

Бензин, л	Масло для двухтактных двигателей, л
	2% (50:1)
5	0,10
10	0,20
15	0,30
20	0,40



ВНИМАНИЕ: Небольшие неточности при смешивании небольшого количества топлива могут значительно повлиять на соотношение компонентов в смеси. Внимательно измеряйте количество масла, чтобы обеспечить правильное соотношение компонентов.

(Рис. 33)

- Добавьте половину количества бензина в чистую емкость для топлива.
- Добавьте все количество масла.
- Взболтайте топливную смесь.
- Добавьте оставшуюся часть бензина в емкость.
- Осторожно взболтайте топливную смесь.



ВНИМАНИЕ: Срок хранения топливной смеси не должен превышать 1 месяца.

Заправка топливом

- Всегда используйте емкость для топлива с клапаном от переполнения.
- Если на емкость попало топливо, удалите его и дайте емкости высохнуть.
- Убедитесь, что область вокруг крышки топливного бака чистая.
- Встряхните емкость для топлива, прежде чем налить топливную смесь в топливный бак.

Обкатка изделия

- В течение первых 10 часов работы изделие не должно работать длительное время на полной мощности без нагрузки.

Запуск и остановка

Осмотр перед началом работы

1. Убедитесь, что продукт не имеет поврежденных, ослабленных, отсутствующих или изношенных деталей.
2. Проверьте затяжку гаек, винтов и болтов.
3. Убедитесь, что лезвия или головка триммера не повреждены.
4. Убедитесь, что контргайка затянута. См. раздел *Проверка контргайки на стр. 66*.
5. Убедитесь, что воздушный фильтр не засорен.
6. Убедитесь, что защитные устройства изделия исправны.
7. Убедитесь в отсутствии утечек топлива.

Регулировка подвески



ПРЕДУПРЕЖДЕНИЕ: Изделие всегда должно быть правильно закреплено на подвеске. Не используйте неисправную подвеску.

1. Наденьте подвеску.
2. Подключите изделие к подвеске.
3. Отрегулируйте подвеску до оптимального рабочего положения.
4. Отрегулируйте боковые ремни таким образом, чтобы вес изделия равномерно распределялся на плечи. (Рис. 34)
5. Отрегулируйте положение подвески таким образом, чтобы режущее оборудование находилось параллельно земле.
6. Режущее оборудование должно слегка касаться земли. Затем отрегулируйте фиксатор подвески для правильного баланса изделия.

Примечание: При использовании лезвия для травы сбалансированное положение должно находиться на высоте приблизительно 10 см/4 дюйма над землей.

Запуск холодного двигателя

1. Нажмите 10 раз на грушу ручного нагнетателя. (Рис. 35)
2. Потяните заслонку вверх. (Рис. 36)
3. Прижмите корпус изделия к земле левой рукой. (Рис. 37) Не наступайте на изделие. Медленно потяните шнур стартера, пока не почувствуется сопротивление. Затем резко дерните шнур стартера.

Примечание: При запуске двигателя запрещается тянуть дроссельный регулятор.

4. Продолжайте дергать шнур стартера, пока не запустится или не начнет запускаться двигатель (макс. 3 раза). При запуске или попытке запуска двигателя опустите заслонку. Продолжайте рыбки, пока двигатель не запустится. Подождите 60 секунд после запуска и потяните дроссельный регулятор.



ВНИМАНИЕ: Не тяните шнур стартера, пока он не остановится. Не отпускайте шнур стартера, когда он полностью вытянут. Медленно отпустите шнур стартера. Несоблюдение этих инструкций может привести к повреждению двигателя.

Запуск прогретого двигателя

1. Нажмите 10 раз на грушу ручного нагнетателя.
2. Тяните шнур стартера до запуска двигателя.

Запуск двигателя, когда топливо очень горячее

Если изделие не запускается, возможно, топливо слишком горячее.

Примечание: Всегда используйте свежее топливо и снижайте время работы в теплую погоду.

1. Поместите изделие в прохладное место, куда не попадают прямые солнечные лучи.
2. Подождите, пока изделие остынет (не менее 20 минут).
3. Несколько раз нажмите на грушу ручного нагнетателя на 10-15 секунд.
4. Выполните процедуру запуска холодного двигателя. См. раздел *Запуск холодного двигателя на стр. 63*.

Остановка

- Нажмите на выключатель, чтобы остановить двигатель. (Рис. 21)

Примечание: Выключатель автоматически возвращается в исходное положение.

Эксплуатация триммера для травы



ВНИМАНИЕ: После каждой операции сбрасывайте обороты двигателя до скорости холостого хода. Работа в течение длительного времени при полном открытии дроссельной заслонки без какой-либо нагрузки на двигатель может привести к повреждению двигателя.

Примечание: Очищайте крышку головки триммера при установке новой режущей лески для предотвращения вибрации. Проверьте другие детали головки триммера и очистите их при необходимости.

Стрижка травы

1. Держите головку триммера чуть выше земли под углом. Не прижимайте режущую леску к траве. (Рис. 38)
2. Уменьшите длину режущей лески на 10-12 см / 4-4,75 дюйма.
3. Уменьшите частоту вращения двигателя, чтобы уменьшить риск повреждения растений.
4. При стрижке травы вблизи предметов дроссель должен быть открыт на 80%. (Рис. 39)

Кошение травы

1. При кошении травы держите режущую леску триммера параллельно земле. (Рис. 40)
2. Не прижимайте головку триммера к земле. Это может привести к повреждению изделия
3. При стрижке травы перемещайте изделие из стороны в сторону. Работайте на полной мощности. (Рис. 41)

Подрезка травы с помощью лезвия для травы

1. Лезвия и ножи для травы не должны использоваться для срезания стволов.
2. Лезвие для травы предназначено для всех видов высокой или грубой травы.
3. Производите кошение маятниковым движением из стороны в сторону, движение справа налево будет рабочим движением, а движение слева направо — возвратным. Лезвие должно срезать траву своим левым краем (между 8 и 12 часами).
4. Если немного наклонить лезвие влево при подрезке, срезанная трава будет укладываться ровными рядами, что облегчит ее сгребание.

5. Старайтесь работать в одном ритме. Стойте устойчиво, поставив стопы ног на некотором расстоянии друг от друга. После возвратного движения передвиньтесь вперед и опять встаньте в устойчивое положение.
6. Опорная чашка должна слегка касаться земли. Она предохраняет лезвие от контакта с землей.
7. Чтобы уменьшить риск закручивания материала вокруг лезвия, всегда работайте на полных оборотах и старайтесь не проходить по уже срезанной траве при возвратном движении.
8. Перед тем, как начать собирать срезанную траву, остановите двигатель и снимите оснастку.

Головка триммера

- Убедитесь, что режущая леска плотно и равномерно намотана на барабан, чтобы уменьшить вибрацию.
- Используйте только одобренные головки триммера и режущую леску. См. *Принадлежности на стр. 69.*
- Используйте режущую леску соответствующей длины. Длинная режущая леска требует большей мощности двигателя, чем короткая.
- Убедитесь, что резчик на щитке режущего оборудования не поврежден.
- Замочите режущую леску в воде на 2 дня, прежде чем установить ее на изделие. Это поможет продлить срок службы режущей лески.

Замена режущей лески

- (Рис. 42)
- (Рис. 43)
- (Рис. 44)
- (Рис. 45)
- (Рис. 46)
- (Рис. 47)
- (Рис. 48)
- (Рис. 49)

Техническое обслуживание

Введение



ПРЕДУПРЕЖДЕНИЕ: Перед выполнением техобслуживания необходимо внимательно изучить и понять раздел безопасности.

Для выполнения любых работ по сервисному обслуживанию и ремонту изделия необходимо пройти специальное обучение. Мы гарантируем доступность услуг по профессиональному ремонту и сервисному обслуживанию. Если ваш дилер не занимается сервисным обслуживанием, обратитесь к

нему для получения информации о ближайшем сервисном центре.

График технического обслуживания

Еженедельное техобслуживание

- Очистите внешние поверхности.
- Убедитесь, что режущее оборудование не вращается на холостых оборотах. См. раздел *Регулировка скорости холостого хода на стр. 65.*

- Проверьте уровень смазки в коническом зубчатом колесе. См. раздел *Добавление смазки в зубчатую передачу на стр. 66.*
- Проверьте контргайку. См. раздел *Проверка контргайки на стр. 66.*

Ежемесячное обслуживание

- Убедитесь, что рукоятка шнура стартера и шнур стартера не повреждены.

Ежегодное обслуживание

- Проверьте свечу зажигания. См. раздел *Проверка свечи зажигания на стр. 65.*
- Очистите внешние поверхности карбюратора и прилегающих областей.
- Очистите систему охлаждения.
- Проверьте искрогасительную сетку. См. раздел *Техобслуживание искрогасительной сетки на стр. 65.*
- Проверьте топливный фильтр.
- Убедитесь, что топливный шланг не имеет повреждений.
- Убедитесь, что кабели и соединения устройства не повреждены.

Регулировка скорости холостого хода

- Перед регулировкой скорости холостого хода убедитесь, что воздушный фильтр чистый и установлена крышка воздушного фильтра.
 - Отрегулируйте обороты холостого хода с помощью винта регулировки холостого хода T, обозначенного меткой "T".
 - Скорость холостого хода правильная, если двигатель работает ровно во всех положениях. Скорость холостого хода должна быть ниже скорости, при которой режущее оборудование начинает вращаться.
1. Поворачивайте винт регулировки по часовой стрелке до тех пор, пока режущее оборудование не начнет вращаться. (Рис. 50)
 2. Затем поворачивайте винт регулировки против часовой стрелки, пока режущее оборудование не остановится.

Техобслуживание искрогасительной сетки

Для очистки искрогасительной сетки используйте металлическую щетку. (Рис. 51)

Очистка системы охлаждения

Для очистки компонентов системы охлаждения используйте щетку. (Рис. 52)

Проверка свечи зажигания



ВНИМАНИЕ: Используйте только рекомендуемые свечи зажигания. Убедитесь, что запчасть имеет такие же характеристики, что и деталь производителя. Применение неподходящих свечей зажигания может привести к повреждению изделия.

1. Проверять свечу зажигания необходимо в следующих случаях:
 - a) при снижении мощности двигателя;
 - b) при затруднительном запуске двигателя;
 - c) при некорректной работе двигателя на холостых оборотах.
2. Если двигатель запускается с трудом или не работает, проверьте свечу зажигания на наличие посторонних материалов. Чтобы уменьшить риск появления посторонних материалов на электродах свечи зажигания:
 - a) убедитесь в правильности регулировки скорости холостого хода;
 - b) убедитесь в правильности состава топливной смеси;
 - c) убедитесь, что воздушный фильтр чист;
3. очистите свечу зажигания, если она загрязнена. Проверьте правильность зазора между электродами. (Рис. 53)
4. При необходимости замените свечу зажигания.

Техобслуживание воздушного фильтра

Очистка воздушного фильтра

1. Снимите крышку воздушного фильтра и воздушный фильтр. (Рис. 54)
2. Промойте воздушный фильтр теплой мыльной водой. Перед установкой фильтра на место убедитесь, что он полностью высох.
3. Если воздушный фильтр слишком грязный, чтобы полностью его очистить, замените его. Всегда заменяйте поврежденный воздушный фильтр.
4. Если изделие оснащено поролоновым воздушным фильтром, нанесите масло для воздушного фильтра. Масло для воздушного фильтра наносится только на поролоновый фильтр. Нельзя наносить масло на фетровый фильтр.

Нанесение масла на воздушный фильтр



ВНИМАНИЕ: Всегда используйте специальное масло для поролоновых воздушных фильтров. Не используйте другие виды масла.



ПРЕДУПРЕЖДЕНИЕ: Не допускайте попадания масла на тело.

1. Снимите крышку воздушного фильтра и воздушный фильтр. (Рис. 55)
2. Поместите воздушный фильтр в полиэтиленовый пакет.
3. Налейте в полиэтиленовый пакет масло для воздушного фильтра. (Рис. 56)
4. Сожмите пакет, чтобы равномерно распределить масло по воздушному фильтру.
5. Сожмите воздушный фильтр в пакете, чтобы удалить излишки масла. Извлеките воздушный фильтр из пакета.
6. Установите воздушный фильтр.

Добавление смазки в зубчатую передачу

Убедитесь, что зубчатая передача на 3/4 заполнена смазкой для зубчатой передачи.

(Рис. 57)

Проверка контргайки



ВНИМАНИЕ: Заменяйте контргайку после каждого 10-го использования.

1. Поверните контргайку против часовой стрелки, чтобы затянуть контргайку. Поверните контргайку

по часовой стрелке, чтобы снять контргайку. (Рис. 58)

2. Убедитесь, что нейлоновую прокладку контргайки невозможно повернуть руками. Сопротивление нейлоновой прокладки должно быть не менее 1,5 Нм (1,1 фут/фунт).
3. Затяните контргайку моментом 35-50 Нм (26-36 футо-фунтов), если сопротивление ниже минимального значения.



ВНИМАНИЕ: Если затянуть контргайку слишком сильно, это может привести к повреждению резьбы.

Заточка ножа и лезвия для травы



ПРЕДУПРЕЖДЕНИЕ: Остановите двигатель. Используйте защитные перчатки.

- Правильную процедуру заточки ножа и лезвия для травы см. в инструкциях, поставляемых вместе с режущим оборудованием.
- Для сохранения балансировки все кромки должны быть заточены одинаково.
- Используйте плоский напильник с односторонним узором. (Рис. 59)



ПРЕДУПРЕЖДЕНИЕ: Всегда утилизируйте поврежденные ножи. Не пытайтесь выпрямить изогнутый или перекошенный нож для его повторного использования.

Поиск и устранение неисправностей

Двигатель не запускается

Проверка	Возможная причина	Порядок действий
Выключатель.	Выключатель находится в положении останова.	Переведите выключатель в положение запуска.
Собачки стартера.	Собачки стартера не могут свободно перемещаться.	Снимите крышку стартера и очистите область вокруг собачек стартера. Обратитесь в авторизованный сервисный центр за помощью.
Топливный бак.	Топливо несоответствующего типа.	Опорожните топливный бак и залейте правильное топливо.

Проверка	Возможная причина	Порядок действий
Свеча зажигания.	Свеча зажигания загрязнена или намочена.	Убедитесь, что свеча зажигания сухая и чистая.
	Неправильный зазор между электродами свечи зажигания.	Очистите свечу зажигания. Проверьте правильность зазора между электродами. Убедитесь, что свеча зажигания оснащена изоляцией радиопомех.
		Правильный зазор между электродами см. в технических данных.
Крепление свечи зажигания ослаблено.	Затяните свечу зажигания.	

Двигатель запускается, но затем снова останавливается

Проверка	Возможная причина	Порядок действий
Топливный бак	Топливо несоответствующего типа.	Опорожните топливный бак и залейте в него правильное топливо.
Воздушный фильтр	Засорен воздушный фильтр.	Очистите воздушный фильтр.

Транспортировка, хранение и утилизация

Транспортировка и хранение

- Перед транспортировкой или помещением на хранение дайте изделию остыть.
- Перед помещением на длительное хранение снимите колпачок свечи зажигания.
- Закрепляйте изделие на время транспортировки. Убедитесь, что изделие неподвижно зафиксировано.
- Убедитесь, что на время транспортировки и хранения исключен риск возникновения утечек топлива, испарения топлива, искр или пламени.
- На время транспортировки и хранения устанавливайте на изделие транспортировочный щиток.
- Перед помещением на длительное хранение очистите изделие и проведите его техобслуживание.

Технические данные

Технические данные

	325R A05328CBHV
Двигатель	
Объем цилиндра, см ³	27,6
Обороты холостого хода, об/мин	2800 - 3200
Рекомендованные макс. обороты, об/мин	8000
Макс. выходная мощность двигателя, по ISO 8893, кВт/л.с. при об/мин	0,9/1,2 при 8000

	325R A05328CBHV
Глушитель с каталитическим конвертером	Нет
Частота вращения выходного вала, об/мин	7200
Система зажигания	
Свеча зажигания	Husqvarna HQT-4
Зазор между электродами, мм	0,5
Топливная система	
Емкость топливного бака, л/см ³	0,343/343
Размеры изделия	
Вес, кг	5,5
Излучение шума¹⁰	
Уровень мощности звука, измеренный, с лезвием для травы, дБ (A)	108
Уровень мощности звука, измеренный, с головкой триммера, дБ (A)	110
Уровень мощности звука, гарантированный (L _{WA}), с лезвием для травы, дБ (A)	112
Уровень мощности звука, гарантированный (L _{WA}), с головкой триммера, дБ (A)	114
Уровни шума¹¹	
Уровень звукового давления на уровне уха оператора, с лезвием для травы, дБ (A)	96
Уровень звукового давления на уровне уха оператора, с головкой триммера, дБ (A)	95
Уровни вибрации¹²	
Эквивалент уровня вибрации (ahv, eq), с лезвием для травы, рукоятка слева, м/с ²	5,1
Эквивалент уровня вибрации (ahv, eq), с лезвием для травы, рукоятка справа, м/с ²	5,7
Эквивалент уровня вибрации (ahv, eq), с головкой триммера, рукоятка слева, м/с ²	4,1
Эквивалент уровня вибрации (ahv, eq), с головкой триммера, рукоятка справа, м/с ²	4,9

¹⁰ Излучение шума в окружающую среду измеряется как шумовой эффект (L_{WA}) согласно Директиве ЕС 2000/14/ЕС. Указанный уровень мощности звука для изделия измерен с оригинальным режущим оборудованием, дающим наивысший уровень. Разница между гарантированной и измеренной мощностью звука заключается в том, что гарантированная мощность звука включает результаты измерений как диапазон и их отклонение для изделий одной и той же модели согласно директиве 2000/14/ЕС.

¹¹ Указанные данные об эквивалентном уровне давления звука для устройства имеют типичный статистический разброс (стандартное отклонение) 1 дБ (A).

¹² Указанные данные о среднем уровне вибраций имеют типичный статистический разброс (стандартное отклонение) 1 м/с².

Принадлежности

Принадлежности

Соответствующие принадлежности	Тип	Щиток режущего оборудования
Резьбовой вал	M10L	
Головка триммера	T35, 2,4 мм	588 11 79-01
Лезвие для травы	Grass 255-4, Ø 250	588 11 79-01

Декларация соответствия ЕС

Содержание декларации о соответствии ЕС

Компания Husqvarna AB, SE 561 82 Huskvarna, ШВЕЦИЯ, под свою исключительную ответственность заявляет, что представленное изделие:

предприятий и стран производителя, как указано на изделии.

Поставляемый бензиновый триммер/кусторез соответствует эталону, прошедшему контроль.

Описание	Бензиновый триммер/кусторез
Марка	Husqvarna
Платформа / Тип / Модель	Платформа A05328CBHV, представленная моделью 325R.
Партия	Серийный номер с 2018 года и далее.

полностью соответствует следующим директивам и нормам ЕС:

Директива/Норматив	Описание
2006/42/ЕС	"о механическом оборудовании"
2014/30/EU	"об электромагнитной совместимости"
2000/14/ЕС	"об излучении шума от оборудования, размещенного вне помещения"
2011/65/EU	"об ограничении использования опасных веществ"

Применяются следующие согласованные стандарты и/или технические спецификации: EN ISO 12100, EN ISO 11806-1, CISPR 12, ISO 14982, EN 50581:2012 .

В соответствии с директивой 2000/14/ЕС, приложение V, заявленные значения звукового давления указаны в разделе технических данных настоящего руководства и в подписанной декларации соответствия ЕС.

Организацией TÜV Rheinland N.A. был проведен добровольный контроль от имени Husqvarna AB, в результате которого был выдан Сертификат соответствия директиве ЕС 2006/42/ЕС о механическом оборудовании.

Сертификат, предоставленный в подписанной декларации соответствия ЕС, действителен для всех

Зміст

Вступ.....	71	Усунення несправностей.....	82
Безпека.....	72	Транспортування, зберігання й утилізація.....	83
Збирання.....	77	Технічні характеристики.....	83
Експлуатація.....	78	Аксесуари.....	85
ТЕХНІЧНЕ ОБСЛУГОВУВАННЯ.....	80	Декларація відповідності ЄС.....	86

Вступ

Посібник користувача

Оригінальна мова посібника користувача – англійська. Посібники користувача іншими мовами є перекладами англійського оригіналу.

Призначення

Для зрізання різних типів рослинності використовуйте виріб із насадками на кшталт ножа для трави або головки тримера.

Огляд виробу

(Мал. 1)

1. Головка тримера
2. Кришка мастильного фільтра
3. Зубчаста передача
4. Захисний кожух ріжучої насадки
5. Штанга
6. Вимикач
7. Курок газу
8. Елемент блокування курка газу
9. Рукоятка
10. Кріплення ременя
11. Корпус стартера
12. Ковпак свічки запалювання, свічка запалювання
13. Рукоятка стартера
14. Паливний бак
15. Кришка повітряного фільтра
16. Кнопка продувки повітря
17. Керування заслінкою.
18. Регулювання рукоятки
19. Тросик газу
20. Кнопка холостого ходу за високих обертів
21. Пасова підвіска
22. Комбінований гайковий ключ
23. Посібник користувача
24. Чохол для транспортування
25. Лезо
26. Опорна манжета
27. Опорний фланець
28. Стопорна гайка

Зверніть увагу: Норми внутрішнього законодавства можуть накладати обмеження на використання цього виробу.

29. Приводний диск
30. Стопорний штифт
31. Шестигранний ключ

Символи на виробі

- (Мал. 2) **ПОПЕРЕДЖЕННЯ!** Цей виріб може бути небезпечним. Необережне або неправильне використання виробу може призвести до травм або смерті оператора чи сторонніх осіб. Щоб уникнути травмування оператора чи сторонніх осіб, уважно прочитайте всі правила техніки безпеки, наведені в цьому посібнику користувача, і дотримуйтеся них.
- (Мал. 3) Перед користуванням виробом уважно прочитайте посібник користувача та переконайтеся, що ви зрозуміли всі вказівки.
- (Мал. 4) На ділянках, де існує ризик падіння предметів, завжди надягайте захисний шолом. Користуйтеся відповідними захисними навушками. Користуйтеся відповідними засобами захисту очей.
- (Мал. 5) Використовуйте відповідні захисні рукавиці.
- (Мал. 6) Використовуйте надмічні чоботи із захистом від ковзання.

- (Мал. 7) Стрілками позначені обмеження для встановлення рукоятки.
- (Мал. 8) 3-під виробу можуть викидатися предмети, що може призвести до травм.
- (Мал. 9) Максимальна частота обертання вихідного вала.
- (Мал. 10) Під час експлуатації виробу дистанція між вами й сторонніми особами чи тваринами повинна становити щонайменше 15 м.
- (Мал. 11) Ризик віддачі ножа у випадку, якщо різальне обладнання натрапить на предмет, який не зможе миттєво зрізати. Виріб здатний відтяти частину тіла. Під час експлуатації виробу дистанція між вами й сторонніми особами чи тваринами повинна становити щонайменше 15 м.
- (Мал. 12) Кнопка продувки повітря.
- (Мал. 13) Заслінка.
- (Мал. 14) Не працюйте поблизу гарячих поверхонь.
- (Мал. 15) Рівень випромінювання шуму в навколишнє середовище відповідає Директиві ЄС. Рівень випромінювання шуму виробу вказано в розділі «Технічні дані» й на паспортній таблиці.
- (Мал. 16) Виріб відповідає належним вимогам директив ЄС.
- (Мал. 17) Виріб відповідає належним вимогам директив ЕАС.

Серійний номер вказаний на таблиці з паспортні ми даними. Число уууу означає рік виробництва, **ww** – тиждень, а **xxxxx** – серійний номер.

ууууwwxxxxx

Зверніть увагу: Інші позначення на виробі відповідають вимогам спеціальних сертифікатів для інших торгових зон.

Відповідальність за якість продукції

Відповідно до законів про відповідальність за якість продукції ми не несемо відповідальності за будь-які пошкодження, спричинені роботою наших виробів, якщо:

- виріб був неправильно відремонтований;
- виріб був відремонтований із використанням деталей, виготовлених не виробником або не затверджених ним;
- виріб обладнаний аксесуаром, виготовленим не виробником або не затвердженим ним;
- виріб був відремонтований у неавторизованому сервісному центрі або неавторизованою компанією;

ЄС V



ПОПЕРЕДЖЕННЯ: Внесення змін у двигун позбавляє чинності сертифікацію ЄС для цього виробу.

Безпека

Визначення щодо безпеки

Попередження, застереження й примітки служать для наголошення на особливо важливих положеннях посібника.



ПОПЕРЕДЖЕННЯ: Вказує на те, що в разі порушення інструкцій, наведених у цьому посібнику, існує небезпека поранення або смерті оператора чи інших осіб, що знаходяться поруч.



УВАГА: Вказує на те, що в разі порушення інструкцій, наведених у цьому посібнику, існує небезпека пошкодження виробу, інших матеріалів або навколишніх об'єктів.

Зверніть увагу: Використовується для надання додаткової інформації щодо певної ситуації.

Противібраційна безпека

Цей виріб призначено для періодичного використання. Тривала або регулярна робота з виробом може призвести до синдрому білих пальців або інших хвороб через вібрацію. У разі тривалої або регулярної експлуатації виробу перевіряйте стан своїх рук та пальців. Якщо колір ваших рук або пальців змінився, ви відчуваєте в них біль, поколювання або оніміння, припиніть роботу та негайно зверніться до лікаря.

Загальні правила техніки безпеки



ПОПЕРЕДЖЕННЯ: Перш ніж розпочати використання виробу, уважно прочитайте наведені нижче попередження.

- Використовуйте виріб правильно. Неправильне використання може призвести до травм або смерті. Використовуйте виріб лише для завдань, перелічених у цьому посібнику. Забороняється використовувати продукт для інших завдань.
- Дотримуйтеся інструкцій, наведених у цьому посібнику. Дотримуйтеся інструкцій, зазначених на попереджувальних знаках та в правилах техніки безпеки. Недотримання оператором інструкцій, зазначених на попереджувальних знаках та в правилах техніки безпеки, може призвести до травм, пошкоджень або смерті.
- Не викидайте цей посібник. Користуйтеся інструкціями для монтажу, експлуатації та підтримки виробу в задовільному стані. Користуйтеся інструкціями для правильного встановлення насадок та приладдя. Використовуйте лише сертифіковані насадки та приладдя.
- Не користуйтеся пошкодженим виробом. Дотримуйтеся графіка технічного обслуговування. Виконуйте лише те обслуговування, для якого наведені інструкції в цьому посібнику. Все інше обслуговування повинне виконуватися в авторизованому сервісному центрі.
- Цей посібник не включає всі ситуації, що можуть статися під час використання виробу. Будьте обережні та дотримуйтеся здорового глузду. Не експлуатуйте виріб і не виконуйте технічне обслуговування, якщо ви не можете розібратися в поточній ситуації. Більш детальну інформацію можна дізнатися в експерта з продукції, вашого дилера, центрі обслуговування або в авторизованому сервісному центрі.
- Перед монтажем, зберіганням або технічним обслуговуванням необхідно виймати свічку запалювання.
- Не використовуйте виріб у разі зміни його початкових технічних характеристик. Не замінюйте деталі виробу без дозволу виробника. Використовуйте лише деталі, схвалені виробником. Неправильне технічне обслуговування може призвести до травм або смерті.
- Не вдихайте вихлопні гази, що виходять з двигуна. Тривале вдихання вихлопних газів двигуна може бути небезпечним для здоров'я.
- Не вмикайте виріб у приміщенні чи біля легкозаймистих матеріалів. Вихлопні гази мають високу температуру та можуть містити іскри, від яких можливе загоряння. Недостатнє провітрювання може призвести до травм або смерті внаслідок задухи чи отруєння монооксидом вуглецю.
- Під час використання виробу двигун створює електромагнітне поле. Електромагнітне поле може пошкодити медичні імплантати. Перш ніж працювати з цим приладом, проконсультуйтеся з лікарем і виробником медичного імплантату.
- Не давайте використовувати прилад дітям. Не давайте використовувати прилад особам, що не ознайомилися з інструкціями.
- Завжди спостерігайте за особами з обмеженими фізичними чи розумовими можливостями, що використовують виріб. Біля виробу, що працює, повинна завжди знаходитися відповідальна доросла особа.
- Зачиняйте виріб у місці, куди не зможуть отримати доступ діти та особи, що не мають належної підготовки для використання виробу.
- З під виробу можуть викидатися предмети, що може призвести до травм. Для зменшення ризику травм або смерті дотримуйтеся правил техніки безпеки.
- Не відходьте далеко від працюючого виробу.
- Відповідальність за нещасний випадок несе оператор.
- Перед використанням виробу переконайтеся, що його деталі не мають пошкоджень.
- Перед використанням виробу переконайтеся в тому, що ви перебуваєте на відстані щонайменше 15 м (50 футів) від інших осіб або тварин. Переконайтеся в тому, що особи на прилеглий території знають, що ви збираєтеся використовувати виріб.
- Дотримуйтеся державного та місцевого законодавства. Норми законодавства можуть забороняти або обмежувати використання виробу в деяких умовах.
- Заборонено використовувати виріб, якщо ви втомлені чи перебуваєте під впливом наркотиків,

алкоголю або медикаментів. Ці речовини можуть вплинути на зір, реакцію, координацію рухів або спроможність робити зважені рішення.

Правила техніки безпеки під час монтажу



ПОПЕРЕДЖЕННЯ: Перш ніж розпочати використання виробу, уважно прочитайте наведені нижче попередження.

- Перед збиранням виробу необхідно зняти ковпак свічки запалювання зі свічки запалювання.
- Використовуйте відповідні захисні рукавиці.
- Перед запуском двигуна переконайтеся, що кришка й вал змонтовані правильно.
- Приводний диск і опорний фланець повинні входити в зачеплення в центральному отворі ріжучої насадки відповідним чином. Неправильне встановлення ріжучої насадки може призвести до серйозних травм або смерті оператора чи інших осіб.
- Для забезпечення безпечної експлуатації виробу та уникнення травмування оператора чи сторонніх осіб, виріб повинен бути завжди закріплений на пасовій підвісі.

Правила техніки безпеки під час використання



ПОПЕРЕДЖЕННЯ: Перш ніж розпочати використання виробу, уважно прочитайте наведені нижче попередження.

- Перед використанням переконайтеся, що виріб повністю змонтований.
- Перед запуском пересуньте виріб на 3 м від місця, де ви заправляли його паливом. Розташуйте виріб на рівній поверхні. При цьому ріжуча насадка не повинна торкатися землі або інших предметів.
- З-під виробу можуть викидатися предмети, що може призвести до пошкодження очей. Під час експлуатації виробу завжди користуйтеся відповідними засобами захисту очей.
- Будьте обережні, адже під час експлуатації виробу до вас може без дозволу підійти дитина.
- Не використовуйте виріб, якщо на робочій ділянці знаходяться люди. Зупиніть виріб у разі, якщо на робочу ділянку зайшла особа.
- Завжди контролюйте місце знаходження виробу.
- Не використовуйте виріб, якщо немає змоги отримати допомогу в разі нещасного випадку. Перед початком експлуатації виробу переконайтеся, що інші особи знають, що ви будете працювати з виробом.
- Не обертайтеся разом з виробом, доки не переконаєтеся, що люди або тварини знаходяться в безпечній зоні.

- Перед початком роботи приберіть всі непотрібні предмети з робочої ділянки. Якщо ріжуча насадка натрапить на якийсь предмет, він може відлетіти та призвести до травм або пошкоджень. Непотрібні предмети можуть намотатися на ріжучу насадку та призвести до пошкоджень.
- Не користуйтеся виробом у погану погоду (туман, дощ, сильний вітер, якщо є ризик виникнення блискавки або за інших несприятливих погодних умов). Через погану погоду можуть утворюватися небезпечні умови (наприклад, слизькі поверхні).
- Переконайтеся, що ви можете вільно переміщуватися та працювати, зберігаючи стабільне положення.

(Мал. 18)

- Переконайтеся, що під час використання виробу ви не впадете. Не нахиляйтеся під час експлуатації виробу.
- Завжди утримуйте виріб обома руками. Тримайте виріб праворуч.

(Мал. 19)

- Використовуйте виріб лише тоді, коли ріжуча насадка знаходиться нижче рівня вашої талії.
- Якщо в момент запуску двигуна керування заслінкою знаходиться в положенні заслінки, ріжуча насадка почне обертатися.
- Не торкайтеся кінчної зубчастої передачі після зупинки двигуна. Після зупинки двигуна кінчна зубчаста передача має високу температуру. Контакт із гарячими поверхнями може призвести до травм.
- Перед переміщенням виробу зупиняйте двигун.
- Не кладіть працюючий виріб на землю.
- Перед тим як прибрати непотрібні предмети з виробу, зупиніть двигун та дочекайтеся зупинки ріжучої насадки. Дочекайтеся зупинки різальної насадки перед тим як ви або ваш помічник почне прибрати зрізаний матеріал.

Засоби індивідуального захисту



ПОПЕРЕДЖЕННЯ: Перш ніж розпочати використання виробу, уважно прочитайте наведені нижче попередження.

- Під час експлуатації виробу завжди використовуйте відповідні засоби індивідуального захисту. Засоби індивідуального захисту не усувають повністю ризик отримання травм. Засоби індивідуального захисту знижують рівень пошкоджень у разі нещасного випадку.
- Під час експлуатації виробу завжди користуйтеся відповідними засобами захисту очей.
- Не використовуйте виріб, не надягнувши взуття або перебуваючи у відкритому взутті. Завжди використовуйте надмічні чоботи із захистом від ковзання.
- Використовуйте цупкі довгі штани.

- За необхідності використовуйте сертифіковані захисні рукавиці.
- У разі наявності ризику падіння предметів на голову, використовуйте шолом.
- Під час експлуатації виробу завжди користуйтеся відповідними засобами захисту органів слуху. Довготривалий вплив шуму може призвести до втрати слуху.
- Переконайтеся, що поряд є набір засобів для надання першої медичної допомоги.

Механізми безпеки на пристрої



ПОПЕРЕДЖЕННЯ: Перш ніж розпочати використання виробу, уважно прочитайте наведені нижче попередження.

- Не використовуйте виріб із пошкодженими захисними пристроями.
- Регулярно перевіряйте захисні пристрої. Див. *Огляд виробу на сторінці 71.*
- У випадку пошкодження запобіжних механізмів зверніться до сервісного дилера Husqvarna.

Блокування курка газу

Елемент блокування курка газу блокує курок газу.

(Мал. 20)

Натисніть на елемент блокування курка газу (А), щоб відпустити курок газу (В). Коли ви випускаєте з рук рукоятку, елемент блокування курка газу та курок газу повертаються до початкового положення.

1. Переконайтеся, що курок газу (В) зафіксований у положенні для холостої роботи, після чого можна відпустити елемент блокування курка газу (А).
2. Натисніть на елемент блокування курка газу (А) та переконайтеся, що він повертається до початкового положення, коли ви відпускаєте його.
3. Натисніть на курок газу (В) та переконайтеся, що він повертається до початкового положення, коли ви відпускаєте його.

Запустіть двигун та повністю натисніть важіль дроселя. Відпустіть курок газу та перевірте, чи зупинилася ріжуча насадка. Якщо важіль знаходиться в положенні для холостого ходу, а ріжуча насадка продовжує обертатися, перевірте гвинт регулювання холостого ходу карбюратора.

Вимикач

Запустіть двигун. Переконайтеся, що двигун вимикається, коли ви переводите вимикач у позицію зупинки.

(Мал. 21)

Захисний кожух ріжучої насадки

Кожух ріжучої насадки захищає від викидання предметів у напрямку оператора.

(Мал. 22)

Перевіряйте кожух ріжучої насадки на предмет пошкоджень та в разі необхідності замініте його. Використовуйте лише сертифіковані кожухи для ріжучих насадок.

Глушник

- Не запускайте двигун з пошкодженим глушником. Пошкоджений глушник збільшує рівень шуму та підвищує небезпеку загоряння. Тримайте поруч вогнегасник.
- Регулярно перевіряйте кріплення глушника до виробу.
- Не торкайтеся двигуна або глушника під час роботи двигуна. Після зупинки двигуна почекайте деякий час перш ніж торкатися двигуна або глушника. Контакт із гарячими поверхнями може призвести до травм.
- Гарячий глушник може призвести до загоряння. Будьте обережні в разі використання виробу біля легкозаймистих рідин або газів.
- Не торкайтеся частин глушника в разі його пошкодження. Ці частини можуть містити канцерогенні хімічні речовини.

Стопорна гайка

Деякі деталі ріжучої насадки фіксуються за допомогою стопорних гайок.

(Мал. 23)

Затягувати стопорну гайку слід у напрямку, протилежному напрямку роботи ріжучої насадки.

Фіксатор пасової підвіски



ПОПЕРЕДЖЕННЯ: Не використовуйте пасову підвіску, якщо фіксатор не спрацьовує належним чином. Під час налаштування виробу переконайтеся, що фіксатор пасової підвіски спрацьовує належним чином.

Фіксатор пасової підвіски розташований на передній частині виробу. Ремені пасової підвіски завжди мають бути розташовані в правильному положенні.

(Мал. 24)

Фіксатор пасової підвіски надає можливість безпечно зняти виріб, якщо виникне непередбачувана ситуація.

Ріжуча насадка



ПОПЕРЕДЖЕННЯ: Перш ніж розпочати використання виробу, уважно прочитайте наведені нижче попередження.

- Проводьте регулярне технічне обслуговування. Регулярний огляд, регулювання або ремонт ріжучої насадки повинен проводитися авторизованим сервісним центром.

- Продуктивність ріжучої насадки збільшується.
- Строк служби ріжучої насадки збільшується.
- Небезпека виникнення нещасних випадків зменшується.
- Використовуйте лише сертифікований захисний кожух ріжучої насадки. Докладніше див. *Аксесуари на сторінці 85.*
- Не використовуйте пошкоджену ріжучу насадку.

Ножі та різці для трави

- Використовуйте лише відповідні ножі для трави. Не використовуйте ніж для трави, доки не буде належним чином встановлено всі необхідні деталі. Упевніться, що використовуються відповідні частини, а також що їх встановлено належним чином. Неправильне встановлення може призвести до від'єднання й відкидання леза та травмування оператора та інших осіб.
- Під час роботи з лезом або його обслуговування носіть захисні рукавиці.
- Під час роботи з виробом, оснащеним ножем для трави, користуйтеся відповідними засобами захисту голови.
- Ножі та різці для трави призначені для косіння густої трави.
- Ніж для трави може нанести тяжкі травми, коли продовжує обертатися після вимикання двигуна або відпускання курка газу. Перш ніж проводити технічне обслуговування, упевніться, що ніж для трави повністю зупинився.
- Зупиняйте двигун перед будь-якими операціями з ріжучою насадкою. Упевніться, що ріжуча насадка повністю зупинилась. Від'єднайте кабель від свічки запалювання.
- Використовуйте лише схвалену ріжучу насадку або правильно загострене лезо.
- Зубці ножа повинні бути правильно загострені. (Мал. 25)
- Не використовуйте пошкоджену ріжучу насадку.
- Перед транспортуванням або зберіганням виробу надягайте на ніж для трави чохол для транспортування.

Віддача ножа

- Віддача ножа – це несподіваний рух виробу вбік, вперед чи назад. Віддача виникає, коли ніж для трави чи полотно пилки натрапить на предмет, який неможливо зрізати. Ризик віддачі зростає під час роботи на ділянках, де об'єкт видно, що саме скошується.
- Віддача ножа може відштовхнути виріб чи оператора. Лезо, що обертається, може нанести травми сторонній особі.
- Якщо лезо зігнулося, тріснуло, зламалося чи ушкоджене будь-яким іншим чином, припиніть його використання.
- Використовуйте гостре лезо. Якщо лезо затупилося, ризик віддачі зростає.

Заходи безпеки під час роботи з паливом



ПОПЕРЕДЖЕННЯ: Перш ніж розпочати використання виробу, уважно прочитайте наведені нижче попередження.

- Не змішуйте паливо в приміщеннях або біля джерел тепла.
- Не запускайте виріб, якщо на ньому залишилося пальне або моторна олива. Приберіть непотрібне пальне/оливу та дайте виробу просохнути. Приберіть непотрібне пальне з виробу.
- Якщо ви пролили пальне на свій одяг, негайно переодягніться.
- Не допускайте потрапляння пального на тіло, адже це може призвести до травм. Для видалення пального, що потрапило на тіло, використовуйте мило та воду.
- Не запускайте двигун у разі потрапляння оливи або пального на виріб або тіло.
- Не запускайте виріб у разі наявності протікання у двигуні. Регулярно перевіряйте двигун на протікання.
- Будьте обережні при поводженні з паливом. Пальне є легкозаймистою речовиною, а його пари вибухонебезпечні та можуть призвести до травм або смерті.
- Не вдихайте вихлопні гази, це може призвести до травм. Забезпечте належне провітрювання.
- Не палять біля пального або двигуна.
- Не кладіть біля пального або двигуна теплі предмети.
- Не доливайте пальне в працюючий виріб.
- Перед заправленням переконайтеся, що двигун охолонув.
- Перед заправленням повільно відкрийте кришку паливного бака, обережно зменшивши тиск.
- Не заправляйте виріб у приміщенні. Недостатнє провітрювання може призвести до травм або смерті внаслідок задухи чи отруєння монооксидом вуглецю.
- Обережно затягуйте кришку паливного бака, адже існує ризик виникнення пожежі.
- Перед запуском пересуньте виріб на 3 м від місця, де ви заправляли його.
- Не заливайте в паливний бак занадто багато палива.
- Переконайтеся у відсутності ризику протікань під час переміщення виробу або ємності для пального.
- Не залишайте виріб або ємність для пального біля відкритого вогню, джерела іскор або запальника. Переконайтеся, що в зоні зберігання відсутні джерела відкритого вогню.
- Під час переміщення або зберігання палива користуйтеся лише сертифікованими ємностями.

- Спустошуйте паливний бак перед тривалим зберіганням. Дотримуйтеся місцевого законодавства щодо утилізації пального.
- Очищуйте виріб перед тривалим зберіганням.
- Щоб двигун випадково не запустився, перед зберіганням необхідно зняти кабель свічки запалювання.

Правила техніки безпеки під час обслуговування



ПОПЕРЕДЖЕННЯ: Перш ніж розпочати технічне обслуговування виробу, уважно прочитайте наведені нижче попередження.

- Виконуйте лише ті види технічного обслуговування, які описано в цьому посібнику

користувача. Усі інші операції з технічного обслуговування та ремонту мають виконуватися кваліфікованими спеціалістами з обслуговування.

- Дотримуйтеся вимог щодо перевірок безпеки, а також вказівок із догляду й обслуговування, наведених у цьому посібнику. Регулярне технічне обслуговування підвищує термін служби виробу та зменшує небезпеку виникнення нещасних випадків. Інструкції див. у розділі *Графік технічного обслуговування на сторінці 81*.
- Якщо після технічного обслуговування виріб не пройде перевірку, наведену в цьому посібнику користувача, зверніться до свого дилера з обслуговування. Ми гарантуємо можливість професійного ремонту й обслуговування вашого виробу.

Збирання

Вступ



ПОПЕРЕДЖЕННЯ: Перед монтажем виробу обов'язково прочитайте й усвідомте зміст розділу про заходи безпеки.



ПОПЕРЕДЖЕННЯ: Перед збиранням виробу необхідно від'єднати кабель від свічки запалювання.

Монтаж рукоятки

1. Вийміть гвинт, що знаходиться поза рукою газу. (Мал. 26)
2. Перемістіть ручку газу до правого боку рукоятки.
3. Зіставте гвинтовий отвір на ручці газу з отвором на рукоятці.
4. Просуньте гвинт крізь отвори. Затягніть гвинт.
5. Установіть рукоятку між стрілками на валу. Затягніть гвинт. (Мал. 27)

Установлення кріплення ремня

1. Установіть кріплення ремня на вал петлею догори. Помістіть кріплення ремня над стрілками на валу.
2. Вставте тросик газу в паз у нижній частині кріплення ремня.
3. Поверніть кріплення ремня таким чином, щоб співпадали гвинтові отвори.
4. Вставте два гвинти у гвинтові отвори.
5. Затягніть гвинти.

Монтаж ріжучої насадки

Монтаж захисного кожуха ріжучої насадки

1. Установіть захисний кожух ріжучої насадки (А) на вал. (Мал. 28)
2. Вставте кріпильну скобу (В) в паз на захисному кожусі ріжучої насадки.
3. Вставте болт (С) в отвір кріпильної скоби захисного кожуха ріжучої насадки.

Монтаж ножа для трави

1. Переконайтеся, що на пристрій установлено захисний кожух ріжучої насадки (А). Див. *Монтаж захисного кожуха ріжучої насадки на сторінці 77*. (Мал. 29)
2. Вставте стопорний штифт (В) у отвір, щоб зафіксувати вал.
3. Установіть ніж (Е), опорну манжету (F) і опорний фланець (G) на вихідний вал (D).
4. Переконайтеся, що приводний диск (С) входить у центральний отвір ножа відповідним чином. (Мал. 30)
5. Установіть стопорну гайку (Н) на вихідний вал. Тримайте ручку комбінованого гайкового ключа біля захисного кожуха ріжучої насадки. Повертайте комбінований гайковий ключ проти годинникової стрілки, щоб затягнути стопорну гайку. Затягніть стопорну гайку, застосовуючи момент 35–50 Н·м (26–36 футів/фунт).
6. Вийміть стопорний штифт.

Приєднання головки тримера

1. Переконайтеся, що на пристрій установлено захисний кожух ріжучої насадки (А). Див. *Монтаж*

захисного кожуха ріжучої насадки на сторінці 77. (Мал. 31)

2. Переконайтеся, що приводний диск (C) встановлено на вихідний вал (D).
3. Вставте стопорний штифт (B) у отвір, щоб зафіксувати вал.

4. Установіть головку тримера (E) на вихідний вал.
5. Повертайте головку тримера проти годинникової стрілки, щоб зафіксувати її на вихідному валу. (Мал. 32)
6. Вийміть стопорний штифт.

Експлуатація

Вступ



ПОПЕРЕДЖЕННЯ: Перед експлуатацією виробу обов'язково прочитайте й усвідомте зміст розділу про заходи безпеки.

Паливо

Цей виріб оснащений двотактним двигуном.



УВАГА: Заправлення паливом невідповідного типу може призвести до пошкодження двигуна. Використовуйте суміш бензину й масла для двотактних двигунів.

Попередньо змішане паливо

- Для найкращої продуктивності та подовження терміну служби двигуна використовуйте високоякісне попередньо змішане алкілатне паливо Husqvarna. Це паливо містить менш шкідливі хімічні речовини порівняно зі звичайним. Завдяки цьому зменшується шкідливий вплив вихлопних димів. Кількість залишків після згоряння цього палива менша, завдяки чому компоненти двигуна залишаються більш чистими.

Змішування палива

Бензин



УВАГА: Не використовуйте бензин із октановим числом нижче 90 RON (87 AKI). Це може призвести до пошкодження виробу.



УВАГА: Не використовуйте бензин із концентрацією етанолу більше 10% (E10). Це може призвести до пошкодження виробу.

- Завжди використовуйте новий неетилований бензин з мінімальним октановим числом 90 RON (87 AKI) та концентрацією етанолу менше 10% (E10).
- У разі частого використання виробу з високою частотою обертання двигуна, необхідно

використовувати бензин з вищим октановим числом.

Масло для двотактних двигунів

- Для досягнення найкращих результатів і продуктивності використовуйте масло Husqvarna для двотактних двигунів.
- Якщо масла Husqvarna для двотактних двигунів немає, використовуйте інше високоякісне масло для двотактних двигунів із повітряним охолодженням. Щоб вибрати правильне масло, зверніться до свого дилера з обслуговування.



УВАГА: Не використовуйте оливу для двотактних двигунів із водяним охолодженням, яку також називають зовнішньою оливою. Не використовуйте масло для чотирихотактних двигунів.

Змішування бензину та оливи для двотактних двигунів

Бензин, л	Масло для двотактних двигунів, л
	2 % (50:1)
5	0,10
10	0,20
15	0,30
20	0,40



УВАГА: У разі змішування невеликої кількості палива навіть незначні неточності можуть значно вплинути на пропорцію суміші. Щоб отримати правильну суміш, точно вимірюйте кількість масла.

(Мал. 33)

1. Влийте половину об'єму бензину в чистий резервуар для палива.
2. Додайте всю оливу.
3. Перемішайте паливну суміш.

4. Влийте решту бензину в резервуар.
5. Обережно перемішайте паливну суміш.



УВАГА: Не змішуйте за один раз палива більше, ніж необхідно на 1 місяць роботи.

Додавання палива

- Завжди використовуйте паливну ємність з антипропускним клапаном.
- Якщо на ємності знаходиться паливо, приберіть його та дайте ємності просохнути.
- Переконайтеся, що область навколо кришки паливного бака чиста.
- Перед додаванням паливної суміші в паливний бак збовтайте ємність з паливом.

Обкатування

- Протягом перших 10 годин роботи не давайте виробу тривалий час працювати за повністю відкритої дросельної заслінки без навантаження.

Запуск і зупинення роботи

Перевірка перед запуском

1. Перевірте виріб на предмет відсутніх, пошкоджених, погано закріплених або зношених деталей.
2. Переконайтеся, що всі гайки, гвинти та болти надійно затягнуті.
3. Переконайтеся, що ножі або головку тримера не пошкоджено.
4. Переконайтеся, що стопорну гайку затягнуто. Див. *Перевірка стопорної гайки на сторінці 82.*
5. Переконайтеся, що повітряний фільтр чистий.
6. Переконайтеся у справності захисних механізмів виробу.
7. Переконайтеся у відсутності витоків палива з пристрою.

Регулювання пасової підвіски



ПОПЕРЕДЖЕННЯ: Виріб має бути правильно приєднаним до пасової підвіски (кріплення). Не користуйтеся пошкодженим кріпленням.

1. Надягніть пасову підвіску.
2. Приєднайте виріб до пасової підвіски.
3. Якнайкраще припасуйте ремені для роботи.
4. Відрегулюйте бокові ремені, щоб маса виробу рівномірно розподілялася по плечах. (Мал. 34)
5. Відрегулюйте пасову підвіску таким чином, щоб ріжуча насадка була розташована паралельно землі.

6. Ріжуча насадка має легко торкатися землі. Відрегулюйте кріплення ременя таким чином, щоб виріб був правильно врівноважений.

Зверніть увагу: У разі використання ножа для трави він має бути врівноважений на рівні близько 10 см (4 дюйми) над землею.

Запуск холодного двигуна

1. Натисніть кнопку продувки повітрям 10 разів. (Мал. 35)
2. Потягніть важіль заслінки вгору. (Мал. 36)
3. Лівою рукою притисніть корпус виробу до землі. (Мал. 37) Не наступіть на виріб. Повільно потягніть за ручку троса стартера доки не відчуєте спротив. Після цього силою потягніть за ручку троса стартера.

Зверніть увагу: Не тягніть курок газу під час запуску двигуна.

4. Продовжуйте тягнути за ручку троса стартера доки двигун не запуститься або не намагатиметься запуститися (макс. 3 рази). Якщо двигун запускається або намагається запуститися, натисніть на важіль повітряної шторки вниз. Продовжуйте тягнути доки двигун не запуститься. Після запуску заждіть 60 секунд, після чого натискайте на курок газу.



УВАГА: Не тягніть трос стартера, доки виріб не зупиниться. Не відпускайте трос стартера, коли він повністю витягнутий. Відпускайте трос стартера повільно. Невиконання цих інструкцій може призвести до пошкодження двигуна.

Запуск теплового двигуна

1. Натисніть кнопку продувки повітрям 10 разів.
2. Потягніть трос стартера до тих пір, поки двигун не запрацює.

Запуск двигуна з надто гарячим паливом

Якщо двигун не запускається, паливо може бути надто гарячим.

Зверніть увагу: Завжди використовуйте нове паливо й зменшуйте тривалість роботи за теплої погоди.

1. Покладіть виріб у прохолодне місце, подалі від прямих сонячних променів.
2. Зачекайте принаймні 20 хвилин, доки виріб охолоне.
3. Натискайте кнопку продувки повітрям без зупинки протягом 10–15 секунд.
4. Виконайте процедуру запуску холодного двигуна. Див. *Запуск холодного двигуна на сторінці 79.*

Зупинення

- Для зупинки двигуна натисніть вимикач. (Мал. 21)

Зверніть увагу: Вимикач автоматично повертається до початкового положення.

Експлуатація тримера



УВАГА: Після кожного використання зменшуйте швидкість двигуна до холостого ходу. Тривала робота на повних оборотах без навантаження на двигун може призвести до пошкодження двигуна.

Зверніть увагу: У разі встановлення нової нитки необхідно очистити кришку голівки тримера, щоб уникнути подальших вібрацій. Огляньте інші деталі голівки тримера та за необхідності очистіть їх.

Підстригання трави

1. Тримайте головку тримера під кутом безпосередньо над землею. Не вдавлийте нитку тримера в траву. (Мал. 38)
2. Зменште довжину нитки тримера на 10–12 см / 4–4,75 дюйма.
3. Зменште частоту обертання двигуна, щоб зменшити ризик пошкодження рослин.
4. Під час зрізання трави поблизу предметів використовуйте 80 % потужності. (Мал. 39)

Зрізання трави

1. Під час зрізання трави нитка тримера має бути паралельна землі. (Мал. 40)
2. Не вдавлийте голівку тримера в землю. Це може призвести до пошкодження виробу.
3. Під час зрізання трави переміщуйте виріб зі сторони в сторону. Повністю натисніть курок газу. (Мал. 41)

Скошування за допомогою ножа для трави

1. Ножми та різцями для трави не можна зрізувати стовбури дерев.
2. Ніж для трави використовується для косіння всіх видів високої та грубої трави.

3. Траву косять маятниковими рухами з боку в бік – рух справа наліво буде робочим, а зліва направо – зворотним. Ніж повинен косити траву лівим краєм (що на циферблаті годинника відповідає проміжку між 8 та 12 годинною).
4. Якщо скошуючи траву нахилити ніж трохи вліво, то трава буде складатися в один ряд, що полегшить її збирання, наприклад граблями.
5. Намагайтеся працювати ритмічно. Стійте впевнено, розставивши ноги. Після зворотного руху пройдіть вперед і знову займіть стійке положення.
6. Опорна манжета повинна злегка прилягти на землю. Вона запобігає удару леза об землю.
7. Щоб знизити ризик намотування матеріалу на лезо, завжди працюйте на повній потужності та не торкайтеся лезом скошеної трави під час зворотного руху.
8. Перед тим як почати збирати зрізану траву, вимкніть двигун, зніміть ремені та покладіть інструмент на землю.

Головка тримера

- Для зменшення вібрації переконайтеся, що нитка тримера намотана на барабан щільно та рівномірно.
- Використовуйте лише сертифіковані головки та нитки косарки. Див. *Аксесуари на сторінці 85*.
- Слідкуйте за правильною довжиною нитки косарки. Для роботи з великою довжиною нитки використовується більше потужності двигуна, ніж з малою.
- Переконайтеся, що ніж на кожусі ріжучої насадки не пошкоджений.
- Перед встановленням нитки на виріб, необхідно вимочити її у воді протягом двох днів. Це збільшить строк служби нитки.

Заміна нитки тримера

- (Мал. 42)
- (Мал. 43)
- (Мал. 44)
- (Мал. 45)
- (Мал. 46)
- (Мал. 47)
- (Мал. 48)
- (Мал. 49)

ТЕХНІЧНЕ ОБСЛУГОВУВАННЯ

Вступ



ПОПЕРЕДЖЕННЯ: Перед виконанням робіт із технічного обслуговування обов'язково прочитайте й усвідомте зміст розділу про заходи безпеки.

Для всіх робіт з обслуговування та ремонту необхідна спеціальна підготовка. Ми гарантуємо доступність послуг із професійного ремонту та обслуговування. Якщо ваш дилер не є одночасно центром обслуговування, зверніться до нього по інформацію щодо найближчого центру обслуговування.

Графік технічного обслуговування

Щотижневе технічне обслуговування

- Очищення зовнішніх поверхонь.
- Переконайтеся, що ріжуча насадка не рухається на холостому ходу. Див. *Налаштування швидкості холостого ходу на сторінці 81.*
- Перевірте рівень мастила в конічній зубчастій передачі. Див. *Змащування конічної зубчастої передачі на сторінці 82.*
- Перевірка стопорної гайки. Див. *Перевірка стопорної гайки на сторінці 82.*

Щомісячне технічне обслуговування

- Переконайтеся, що ручка троса стартера та трос стартера не пошкоджені.

Щорічне обслуговування

- Перевірка свічки запалювання. Див. *Перевірка свічки запалювання на сторінці 81.*
- Очищення зовнішніх поверхонь карбюратора та прилеглих до нього ділянок.
- Очищення системи охолодження.
- Перевірка іскрогасника. Див. *Технічне обслуговування іскрогасника на сторінці 81.*
- Перевірка паливного фільтра.
- Перевірте шланг подачі пального на наявність пошкоджень.
- Перевірте кабелі та з'єднання виробу на наявність пошкоджень.

Налаштування швидкості холостого ходу

- Перед налаштуванням швидкості холостого ходу переконайтеся, що повітряний фільтр чистий, а кришка повітряного фільтра встановлена.
- Налаштуйте швидкість холостого ходу за допомогою регульовального гвинта Т, який позначений літерою «Т».
- Швидкість холостого ходу відрегульована правильно, якщо двигун працює рівномірно в будь-якому положенні. Швидкість холостого ходу повинна бути нижчою від швидкості, на якій починає обертатися насадка.

1. Повертайте гвинт регулювання холостого ходу за годинниковою стрілкою, поки ріжуча насадка не почне обертатися. (Мал. 50)
2. Повертайте гвинт регулювання холостого ходу проти годинникової стрілки, поки ріжуча насадка не зупиниться.

Технічне обслуговування іскрогасника

Для очищення іскрогасника використовуйте дротяну щітку.
(Мал. 51)

Очищення системи охолодження

Очищуйте елементи системи охолодження за допомогою щітки.

(Мал. 52)

Перевірка свічки запалювання



УВАГА: Використовуйте лише рекомендовані свічки запалювання. Переконайтеся, що заміна буде відбуватися на такі ж самі деталі, що були поставлені виробником. Неправильна свічка запалювання може призвести до пошкодження виробу.

1. Перевіряйте свічку запалювання коли:
 - a) потужність двигуна низька.
 - b) двигун важко завести.
 - c) двигун працює неправильно на холостому ходу.
2. Якщо двигун важко запускається або працює, перевірте свічку запалювання на наявність зайвих предметів. Щоб зменшити ризик потрапляння зайвих предметів на електроди свічки запалювання:
 - a) переконайтеся, що швидкість холостого ходу встановлено правильно.
 - b) переконайтеся в правильності змішування паливної суміші.
 - c) переконайтеся, що повітряний фільтр чистий.
3. Якщо свічка запалювання забруднена, почистьте її. Перевірте правильність проміжку між електродами. (Мал. 53)
4. За необхідності замініть свічку запалювання.

Технічне обслуговування повітряного фільтра

Очищення повітряного фільтра

1. Зніміть кришку повітряного фільтра та витягніть повітряний фільтр. (Мал. 54)
2. Чистити повітряний фільтр потрібно теплою мильною водою. Перед встановленням переконайтеся, що повітряний фільтр сухий.
3. Якщо повітряний фільтр занадто брудний для очищення, замініть його. Пошкоджений повітряний фільтр необхідно замінювати обов'язково.
4. Якщо ваш виріб оснащений губчастим повітряним фільтром, використовуйте оливу для повітряних фільтрів. Оливу для повітряних фільтрів слід наносити лише на губчасті фільтри. Забороняється наносити оливу на фетровий фільтр.

Нанесення оливи для повітряних фільтрів на фільтр



УВАГА: Для обслуговування губчастих фільтрів використовуйте лише спеціальну оливу для повітряних фільтрів. Не використовуйте інші типи оливи.



ПОПЕРЕДЖЕННЯ: Уникайте потрапляння оливи на тіло.

1. Зніміть кришку повітряного фільтра та витягніть повітряний фільтр. (Мал. 55)
2. Покладіть повітряний фільтр у пластиковий пакет.
3. Налийте в пластиковий пакет оливу для повітряних фільтрів. (Мал. 56)
4. Натисніть на пластиковий пакет щоб переконатися, що олива рівно розповсюдиться по всьому повітряному фільтру.
5. Поки фільтр знаходиться в пакеті, натисніть на нього щоб з нього вийшла непотрібна олива. Вийміть повітряний фільтр з пакета.
6. Установіть повітряний фільтр.

Змащування конічної зубчастої передачі

Конічна зубчаста передача має бути заповнена мастилом для зубчастих передач на три чверті.

(Мал. 57)

Перевірка стопорної гайки



УВАГА: Стопорну гайку слід замінити після 10 використань.

1. Щоб затягнути стопорну гайку, повертайте її проти годинникової стрілки. Щоб відкрити стопорну гайку, повертайте її за годинниковою стрілкою. (Мал. 58)
2. Переконайтеся, що нейлонову муфту стопорної гайки неможливо повернути руками. Нейлонова муфта має забезпечувати опір обертанню не менше 1,5 Н·м (1,1 фута/фунт).
3. Якщо опір обертанню є меншим за мінімальне значення, затягніть стопорну гайку до досягнення моменту 35–50 Н·м (26–36 футів/фунт).



УВАГА: Надмірне затягування стопорної гайки може пошкодити різьбу.

Загострення ножа й леза для трави



ПОПЕРЕДЖЕННЯ: Зупиніть двигун. Використовуйте захисні рукавички.

- Для правильного загострення ножа чи леза для трави ознайомтеся з інструкціями, що йдуть у комплекті з ріжучою насадкою.
- Для підтримки рівноваги всі кромки необхідно загострювати однаково.
- Використовуйте плаский напилек з одностороннім візерунком. (Мал. 59)



ПОПЕРЕДЖЕННЯ: У разі пошкодження ножі необхідно утилізувати. Не намагайтеся вирівняти ножі й використовувати їх далі.

Усунення несправностей

Двигун не запускається

Перевірка	Можлива причина	Процес
Вимикач.	Вимикач перебуває в положенні STOP (Стоп).	Установіть вимикач у положення запуску.
Собачки стартера.	Собачки стартера не можуть вільно рухатися.	Зніміть кришку стартера й очистьте місце навколо собачок стартера. Зверніться по допомогу до уповноваженого центру обслуговування.
Паливний бак.	Неправильний тип палива.	Спорожніть паливний бак і залийте в нього правильний тип палива.

Перевірка	Можлива причина	Процес
Свічка запалювання.	Свічка запалювання брудна або волога.	Переконайтеся, що свічка запалювання суха та чиста.
	Неправильний проміжок між електродами свічки запалювання.	Чищення свічки запалювання. Переконайтеся, що проміжок між електродами правильний. Переконайтеся, що свічка запалювання має обмежувач напруги.
		Інформація про коректний проміжок між електродами подається у розділі технічних даних.
	Свічка запалювання відкрутилася.	Закрутіть свічку запалювання.

Двигун запускається, але вимикається

Перевірка	Можлива причина	Процес
Паливний бак	Неправильний тип палива.	Спорожніть паливний бак і залийте в нього правильний тип палива.
Повітряний фільтр	Засмічено повітряний фільтр.	Почистіть повітряний фільтр.

Транспортування, зберігання й утилізація

Транспортування та зберігання

- Перед транспортуванням чи зберіганням необхідно дати виробу охолонути.
- Перед тривалим зберіганням необхідно зняти ковпак зі свічки запалювання.
- Під час транспортування закріплюйте виріб. Переконайтеся, що виріб не рухатиметься під час транспортування.
- Переконайтеся, що ризик виникнення витоків палива, випарювань, іскор або вогню під час транспортування й зберігання відсутній.
- Під час транспортування й зберігання необхідно встановлювати чохол для транспортування.
- Перед тривалим зберіганням виріб необхідно промити й провести технічне обслуговування.

Технічні характеристики

Технічні характеристики

	325R A05328CBHV
Двигун	
Об'єм циліндра, см ³	27,6
Холостий хід, об/хв	2800-3200
Рекомендована максимальна частота обертання, об/хв	8000

	325R
	A05328CBHV
Потужність / макс. потужність двигуна відповідно до ISO 8893, кВт / к. с. (оберти)	0,9/1,2 при 8000
Глушник з каталітичним конвертером	Ні
Швидкість обертання вихідного валу, об./хв.	7200
Система запалювання	
Свічка запалення	Husqvarna HQT-4
Проміжок між електродами, мм	0,5
Паливна система	
Ємність паливного бака, л / см ³	0,343 / 343
Розміри виробу	
Вага, кг	5,5
Випромінювання шуму¹³	
Вимірний рівень звукової потужності з ножем для трави, дБ(А)	108
Вимірний рівень звукової потужності з головкою тримера, дБ(А)	110
Гарантований рівень звукової потужності (L _{WA}) з ножем для трави, дБ(А)	112
Гарантований рівень звукової потужності (L _{WA}) з головкою тримера, дБ(А)	114
Рівні звуку¹⁴	
Рівень звукового тиску на слухові органи оператора з ножем для трави, дБ(А)	96
Рівень звукового тиску на слухові органи оператора з головкою тримера, дБ(А)	95
Рівні вібрації¹⁵	
Еквівалент рівня вібрації (ahv, eq), з ножем для трави, ліва ручка, м/с ²	5,1
Еквівалент рівня вібрації (ahv, eq), з ножем для трави, права ручка, м/с ²	5,7
Еквівалент рівня вібрації (ahv, eq), з головкою тримера, ліва ручка, м/с ²	4,1
Еквівалент рівня вібрації (ahv, eq), з головкою тримера, права ручка, м/с ²	4,9

¹³ Випромінювання шуму в середовище, виміряне як звукова потужність (L_{WA}), відповідає директиві ЄС 2000/14/ЄС. Зазначений рівень звукової потужності виробу був вимірний з оригінальним різальним устаткуванням, що дає найвищий рівень. Різниця між гарантованим і вимірюваним рівнем звукової потужності полягає в тому, що гарантована звукова потужність включає також дисперсію результатів вимірювання та відмінності між різними виробами тієї самої моделі відповідно до Директиви 2000/14/ЄС.

¹⁴ Представлені дані для еквівалентного рівня звукового тиску для виробу мають типову статистичну дисперсію (стандартне відхилення) в 1 дБ(А).

¹⁵ Представлені дані про еквівалентний рівень вібрації мають типову статистичну дисперсію (стандартне відхилення) в 1 м/с².

Аксессуары

Аксессуары

Схвалені аксесуари	Тип	Захисний кожух ріжучої насадки
Нарізний вал	M10L	
Головка тримера	T35, 2,4 мм	588 11 79-01
Ніж для трави	Grass 255-4, Ø 250	588 11 79-01

Декларація відповідності ЄС

Зміст декларації відповідності ЄС

Ми, Husqvarna AB, SE 561 82 м. Гускварна, Швеція, заявляємо під свою виключну відповідальність, що представлений виріб:

Опис	Бензиновий тример / Кущоріз
Бренд	Husqvarna
Платформа / Тип / Модель	Платформа A05328CBHV, представлена модель 325R
Партія	Серійні номери за 2018 рік і пізніше

повністю відповідає наступним директивам і нормам ЄС:

Директива/норма	Опис
2006/42/EC	«Про механічне обладнання»
2014/30/EU	«Про електромагнітну сумісність»
2000/14/EC	«Про випромінювання шуму від обладнання, призначеного для використання надворі»
2011/65/EU	«Про обмеження використання деяких небезпечних речовин»

Застосовуються наступні узгоджені стандарти й/або технічні специфікації: EN ISO 12100, EN ISO 11806-1, CISPR 12, ISO 14982, EN 50581:2012.

Згідно з директивою 2000/14/EC, додаток V, заявлені шумові характеристики зазначені в розділі технічних даних цього посібника та в підписаній декларації відповідності ЄС.

Компанія TÜV Rheinland N.A. виконала добровільну перевірку компанії Husqvarna AB та видала їй сертифікат відповідності нормам директиви Ради ЄС 2006/42/EC «Про машини та механізми».

Сертифікат, як зазначено в підписаній декларації відповідності ЄС, діє для всіх місць виробництва та країн-виробників, зазначених на виробі.

Бензиновий тример/кущоріз, що постачається, жодним чином не відрізняється від зразка, що пройшов випробування.



www.husqvarna.com

Original instructions
Instrucciones originales
Instruções originais

Оригинальные инструкции
Оригінальні інструкції

595960404



2018-10-23